

Flat Panel Display Mounting Total Solution

FREE YOUR WORKING SPACE

MODERNSOLID

LCD Monitor Arm / Multiple Monitor Arm / PC Workstation

Flat Panel Display Mounting Total Solution
FREE YOUR WORKING SPACE

Sagitta Series

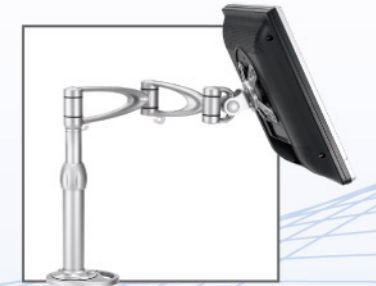


Archer Series



ERGONOMIC

2015



PC Workstation



Phoenix Series



2015.05

MODERNSOLID INDUSTRIAL CO., LTD.

NO.11-2, Wu Nan Rd., Wu Chi Dist., Taichung City 435, Taiwan.
TEL: 886-4-26397717 / 886-4-26398669 (Rep.) / FAX: 886-4-26398333
Website: www.modernsolid.com / E-mail: info@modernsolid.com.tw



modernsolid.com

MODERNSOLID

www.modernsolid.com

Company Profile



MODERNSOLID, an ISO 9001 approved manufacturer, supplies since 1988 a wide range of Mounting Solutions that accommodates large and small displays for office, education, industrial, and healthcare market, etc.

As an awarded innovative company, **MODERNSOLID** keeps on top of the latest market trends and research in the technology field, and is dedicated to helping our partners find the best solution. We offer an entire range of products tailored to any market opportunities.

We support our customers in growing their business with innovative, high quality engineering products and years of manufacturing experience.

Contact us and let us support your growing business with **MODERNSOLID**-Products!

Contents

Flat Panel Display Mounting Total Solution

03 Sagitta Series

- Quick Release VESA Head
- Pole Mount Type (Single Monitor Arm)
- Pole Mount Type (Multiple Monitor Arm)
- Wall Mount Type
- Pole / Pipe Mounting Bracket
- Track Mount Type
- Universal Slat Mount Bracket

12 Archer Series

- Desk Mount Type (Single Monitor Arm)
- Desk Mount Type (Multiple Monitor Arm)
- Wall Mount Type
- Universal Slat Mount Bracket
- Pole Mount Type (Single Monitor Arm)
- Pole Mount Type (Multiple Monitor Arm)

18 Phoenix Series

- Single Monitor Arm
- Notebook Monitor Arm
- Dual Monitor Arm

21 GAS Spring Arm

- LA-70 Series
- LA-20 Series (Desk Mount Type)
- LA-20 Series (Wall Mount Type)

23 PC Workstation

- Mobile Computing Workstation Cart
- Mobile Computing Workstation Cart Optional
- Track System
- Track System Optional

27 Economic Monitor Arm

28 Simple Arm

- LCD Monitor Wall Mount Kit
- Slot Mount Option
- Column Type
- Pole / Pipe Mounting Bracket

© 2015 Modernsolid Industrial Co., Ltd.

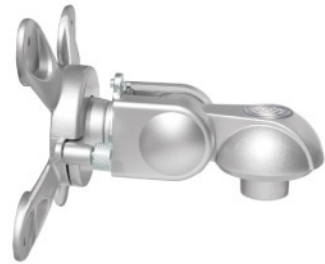
■ In accordance with our policy of constant improvement, we reserve the right to alter specifications of products shown.

Sagitta Series

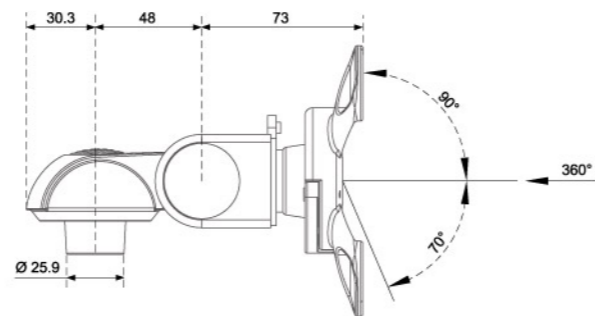
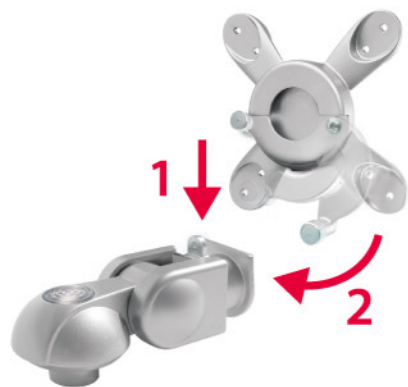
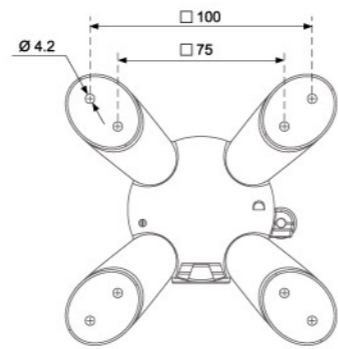


Quick Release VESA Head

- Allows for quick and easy installation of displays.
- Sturdy, ergonomic design for easier use.



LA-511Q
VESA 75/100mm



unit:mm

Pole Mount Type (Single Monitor Arm)

- Made of high quality aluminum alloy.
- Ergonomic design and height-adjustable mount are perfect for a comfortable working space.
- Aesthetic design offers a pleasant environment.
- The sturdy main frame can still move smoothly under heavy load.
- Easy and efficient cable management.
- Items can be purchased separately if desired.



Well-Routed



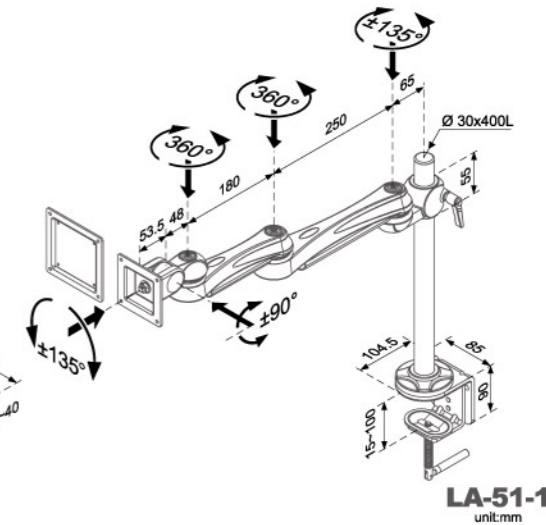
LA-51-1
Clamp Type
VESA 75/100mm
max ~8kg (17.6lbs)



LA-52-1
Grommet Type



LA-52-1
Grommet Type



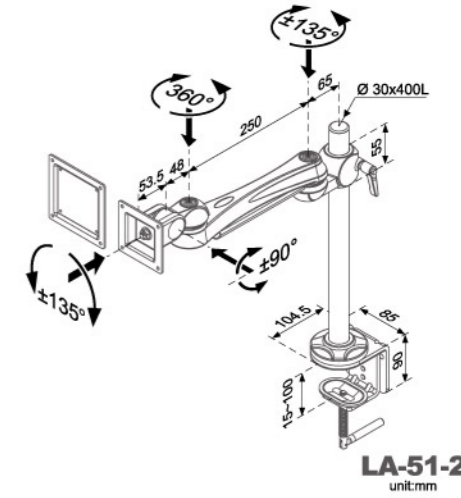
LA-51-2
Clamp Type
VESA 75/100mm
max ~10kg (22lbs)



LA-52-2
Grommet Type



LA-52-2
Grommet Type



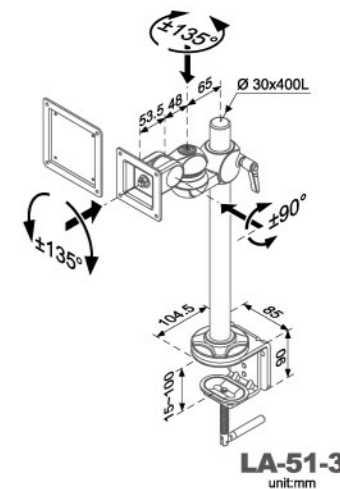
LA-51-3
Clamp Type
VESA 75/100mm
max ~12kg (26.4lbs)



LA-52-3
Grommet Type



LA-52-3
Grommet Type



▶ Pole Mount Type (Multiple Monitor Arm)

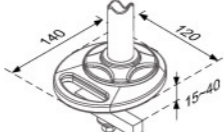
- Multiple monitor application enables greater productivity.
- Adjust the monitors independently for viewing comfort.



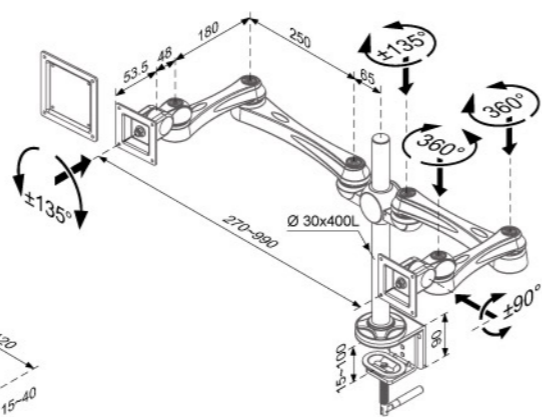
LA-515-1
Clamp Type
VESA 75/100mm
max ~16kg (35.2lbs)



LA-525-1
Grommet Type



LA-525-1
Grommet Type



LA-515-1
unit:mm

▶ Pole Mount Type (Multiple Monitor Arm)

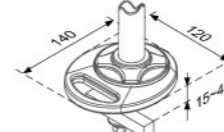
- Ideal for security monitoring, trading desk, gaming applications.
- Sturdy design ensures safe and easy operation.



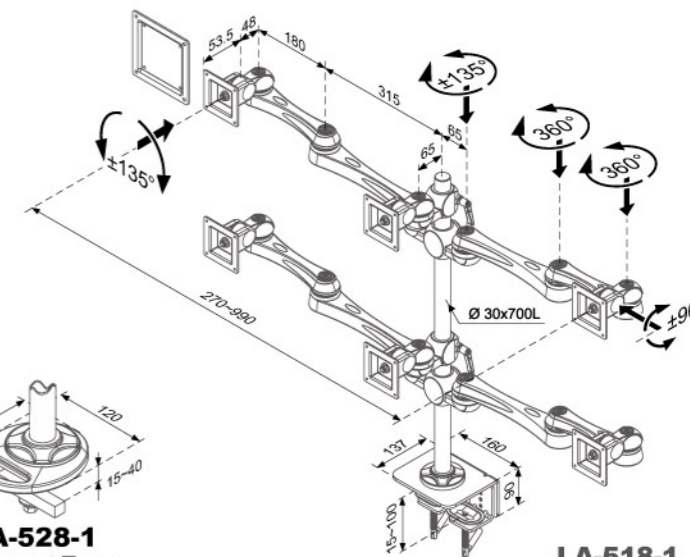
LA-518-1
Clamp Type
VESA 75/100mm
max ~36kg (79.2lbs)



LA-528-1
Grommet Type



LA-528-1
Grommet Type



LA-518-1
unit:mm

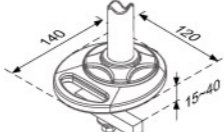
▶ Specifications of Components unit:mm



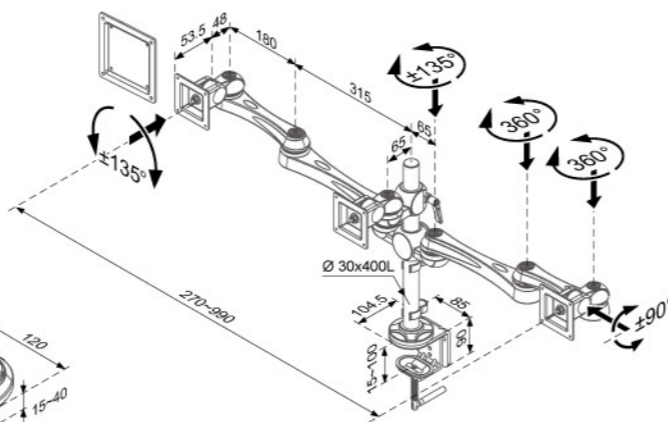
LA-516-1
Clamp Type
VESA 75/100mm
max ~24kg (52.8lbs)



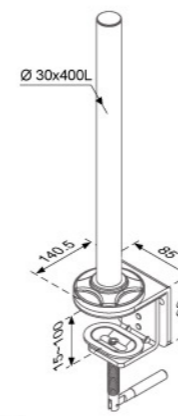
LA-526-1
Grommet Type



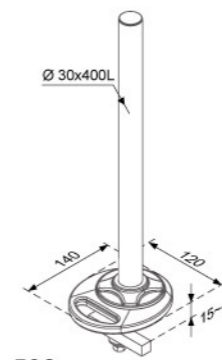
LA-526-1
Grommet Type



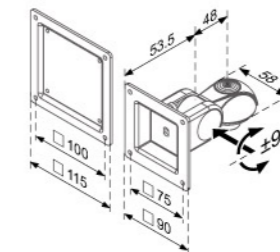
LA-516-1
unit:mm



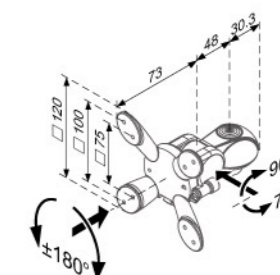
LA-501
Standard
Clamp Type



LA-502
Grommet Type



LA-511
Universal Joint



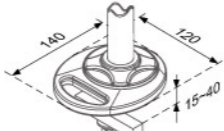
LA-511Q
Universal Joint W/QR



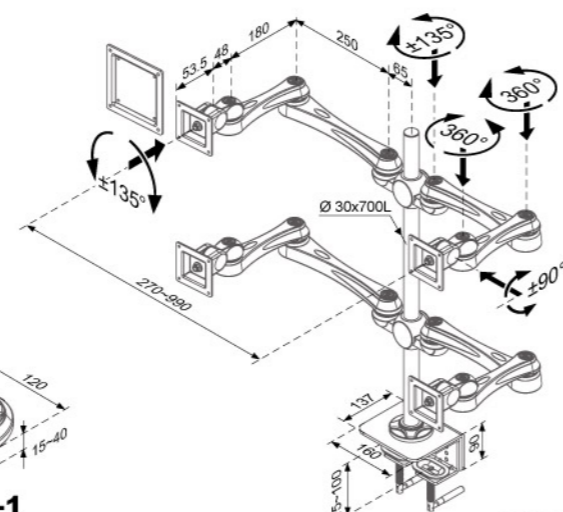
LA-517-1
Clamp Type
VESA 75/100mm
max ~32kg (70.4lbs)



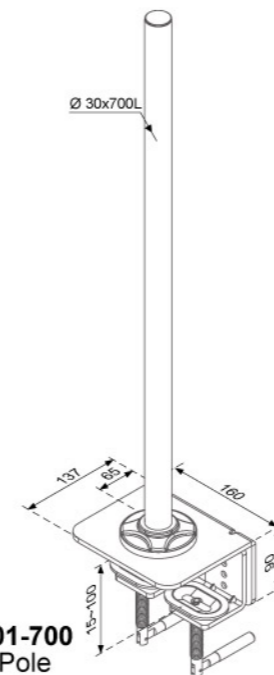
LA-527-1
Grommet Type



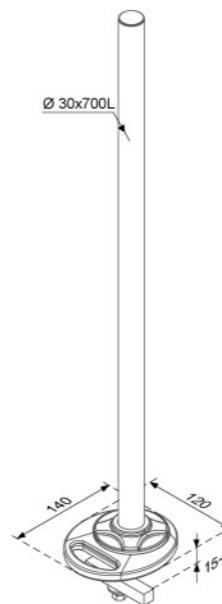
LA-527-1
Grommet Type



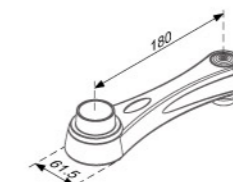
LA-517-1
unit:mm



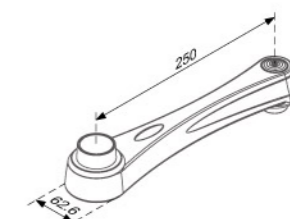
LA-501-700
Long Pole
Clamp Type



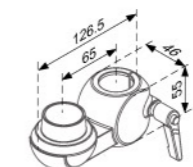
LA-502-700
Long Pole
Grommet Type



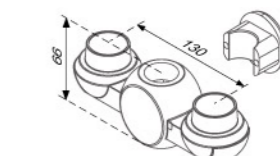
LA-512
Short Arm



LA-513
Long Arm



LA-514
Connection Block



LA-515
Double Connection Block

▶ Desk Mount Assembly List

ITEM NO.	LA-501	LA-501-700	LA-502	LA-502-700	LA-511	LA-511Q	LA-512	LA-513	LA-514	LA-515	LOADING	LOADING
LA-51-1	●				●		●	●	●		8	17.6
LA-51-2	●				●		●	●	●		10	22
LA-51-3	●				●				●		12	26.4
LA-51-4	●				●		●●		●		8	17.6
LA-51-5	●				●			●●	●		8	17.6
LA-51-6	●				●		●		●		10	22
LA-52-1			●		●		●	●	●		8	17.6
LA-52-2			●		●			●	●		10	22
LA-52-3			●		●				●		12	26.4
LA-52-4			●		●		●●		●		8	17.6
LA-52-5			●		●			●●	●		8	17.6
LA-52-6			●		●		●		●		10	22
LA-515-1	●				●●		●●	●●		●	16	35.2
LA-516-1	●				●●●●		●●	●●	●	●	24	52.8
LA-517-1		●			●●●●		●●●●	●●●●		●●	32	70.4
LA-518-1		●			●●●●		●●●●	●●●●	●●	●●	36	79.2
LA-525-1			●		●●		●●	●●		●	16	35.2
LA-526-1			●		●●●●		●●	●●	●	●	24	52.8
LA-527-1				●	●●●●		●●●●	●●●●		●●	32	70.4
LA-528-1				●	●●●●		●●●●	●●●●	●●	●●	36	79.2
ITEM NO.	LA-501	LA-501-700	LA-502	LA-502-700	LA-511	LA-511Q	LA-512	LA-513	LA-514	LA-515	unit / kg	unit / lb
LA-51Q-1	●					●	●	●	●		8	17.6
LA-51Q-2	●					●		●	●		10	22
LA-51Q-3	●					●			●		12	26.4
LA-51Q-4	●					●	●●		●		8	17.6
LA-51Q-5	●					●		●●	●		8	17.6
LA-51Q-6	●					●	●		●		10	22
LA-52Q-1			●			●	●	●	●		8	17.6
LA-52Q-2			●			●		●	●		10	22
LA-52Q-3			●			●			●		12	26.4
LA-52Q-4			●			●	●●		●		8	17.6
LA-52Q-5			●			●		●●	●		8	17.6
LA-52Q-6			●			●	●		●		10	22
ITEM NO.	LA-501	LA-501-700	LA-502	LA-502-700	LA-511	LA-511Q	LA-512	LA-513	LA-514	LA-515	unit / kg	unit / lb

▶ Wall Mount Type

- Aesthetic design offers a pleasant environment.
- Easy and efficient cable management.



LA-55-1

VESA 75/100mm
max ~8kg (17.6lbs)



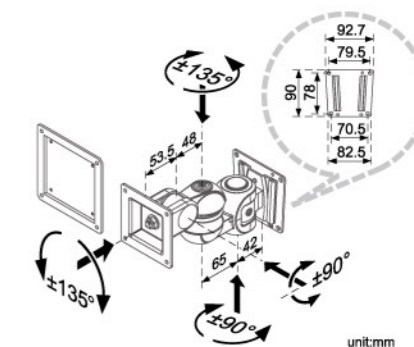
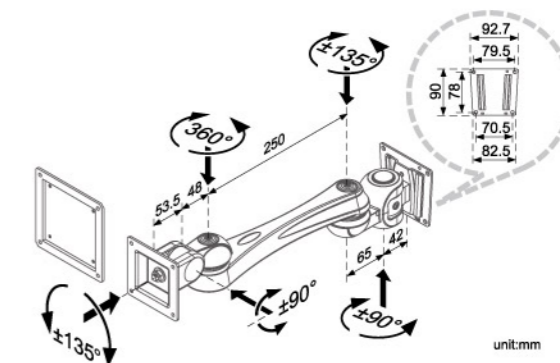
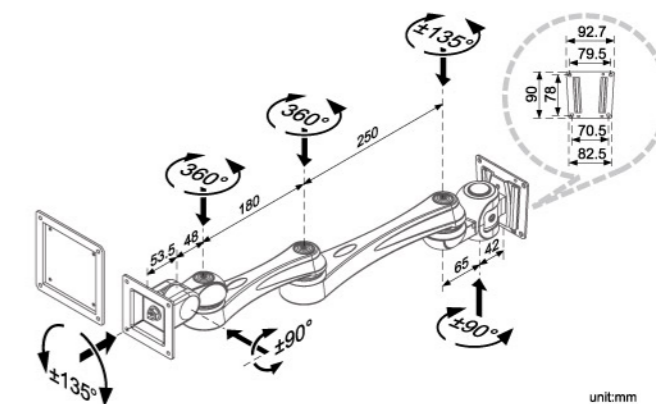
LA-55-2

VESA 75/100mm
max ~10kg (22lbs)



LA-55-3

VESA 75/100mm
max ~12kg (26.4lbs)



▶ Pole / Pipe Mounting Bracket

- Quick and easy mounting with the pole to save space.
- Mount with the existing pole/pipe of medical equipment for better integration.
- Be compatible with LA-16G、17G、18G、37G; Sagitta series wall mount type.

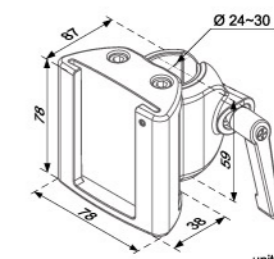


PA-32

max ~8kg (17.6lbs)



PA-32+LA-55-3

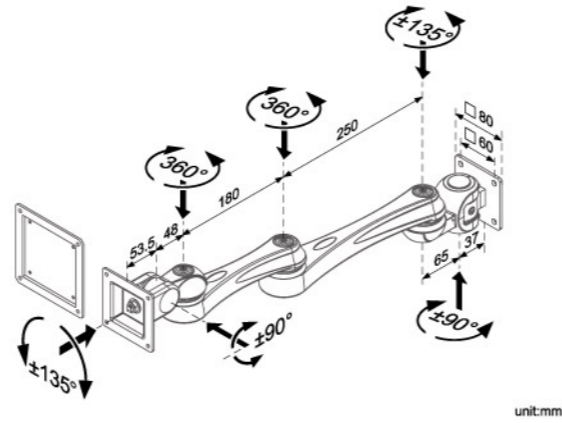


▶ Track Mount Type

■ Compatible with LA-251.

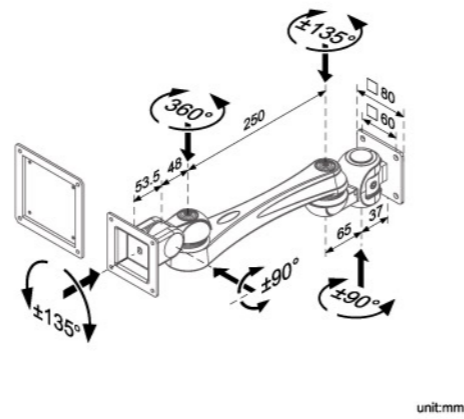
LA-55D-1

VESA 75/100mm
max ~8kg (17.6lbs)



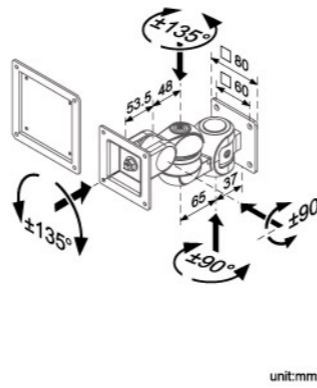
LA-55D-2

VESA 75/100mm
max ~10kg (22lbs)



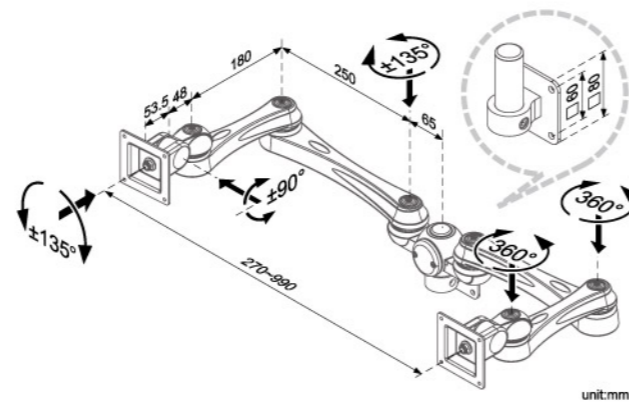
LA-55D-3

VESA 75/100mm
max ~12kg (26.4lbs)



LA-515D-1

VESA 75/100mm
max ~16kg (35.2lbs)



▶ Universal Slat Mount Bracket

- Works perfectly with slat walls.
- Improves working comfort and productivity.
- Organized cable management gives a neat look.
- Apply to the tool rails with groove in width of 18~70 mm and min. depth of 4.4 mm.

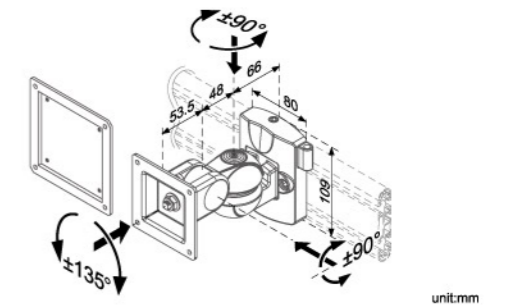
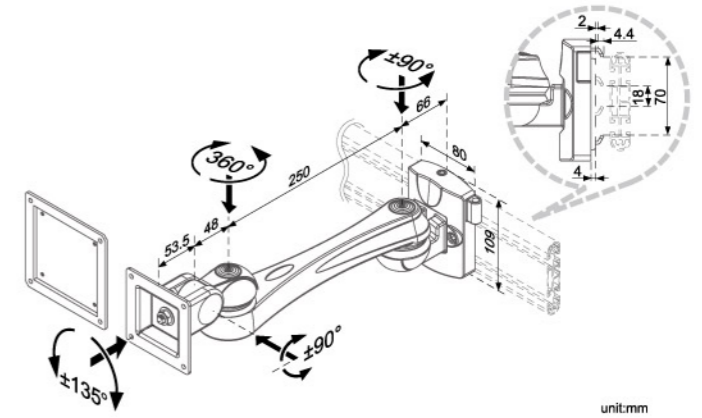


LA-59-2

VESA 75/100mm
max ~10kg (22lbs)

LA-59-3

VESA 75/100mm
max ~12kg (26.4lbs)



▶ Universal Slat Mount Bracket

- The special mechanism design for lift and descent makes the height of the monitor be adjusted easily (height adjustable range: 170mm), when the monitor arm is fixed on the tool rails.
- Apply to the tool rails with groove in width of 18~70 mm and min. depth of 4.4 mm.

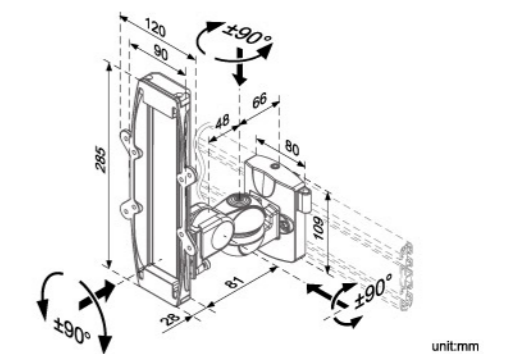
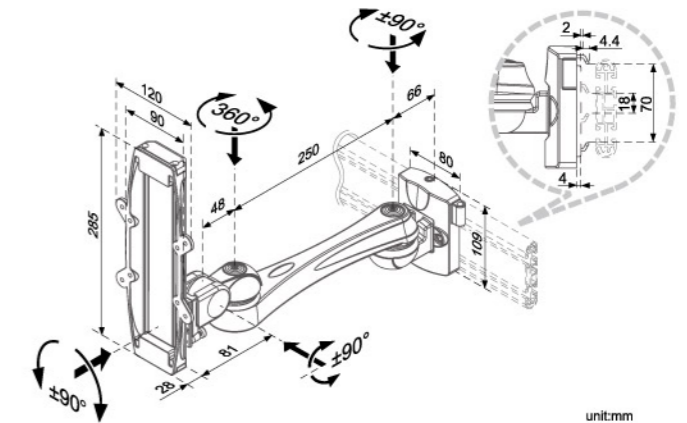


LA-59-2TN6

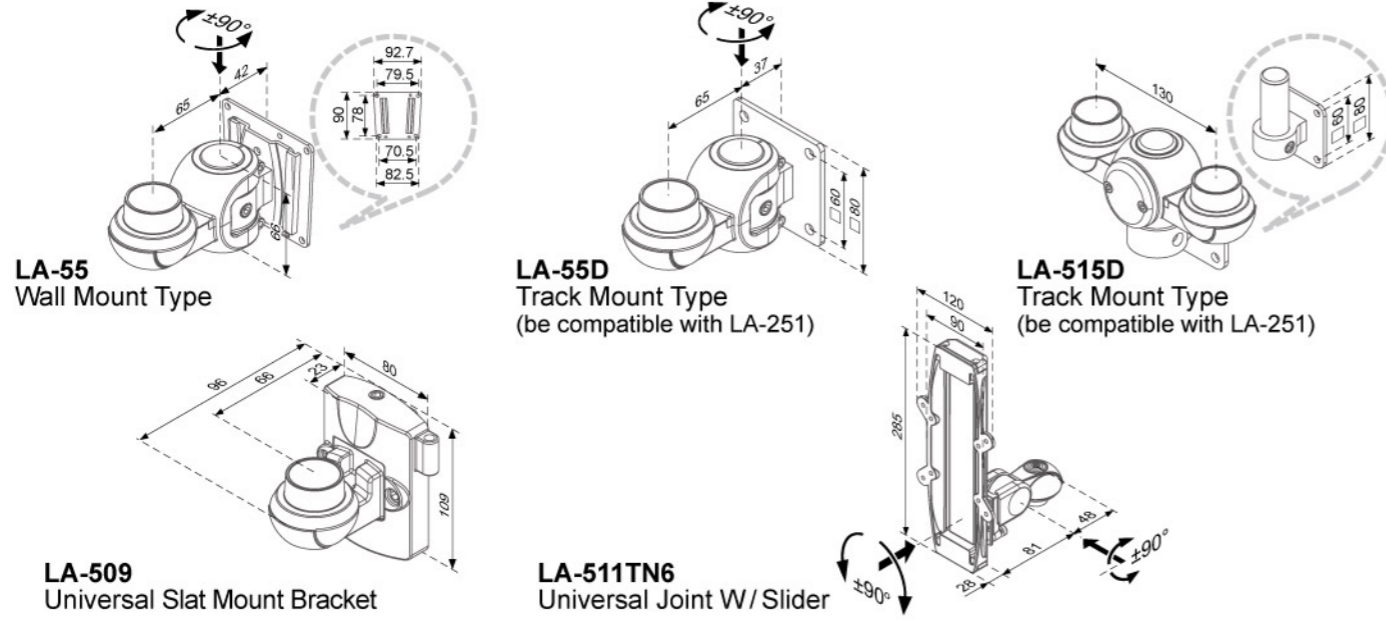
VESA 75/100mm
max 4~6kg (8.8~13.2lbs)

LA-59-3TN6

VESA 75/100mm
max 4~6kg (8.8~13.2lbs)



► Specifications of Components unit:mm



► Wall/Slat Mount Assembly List

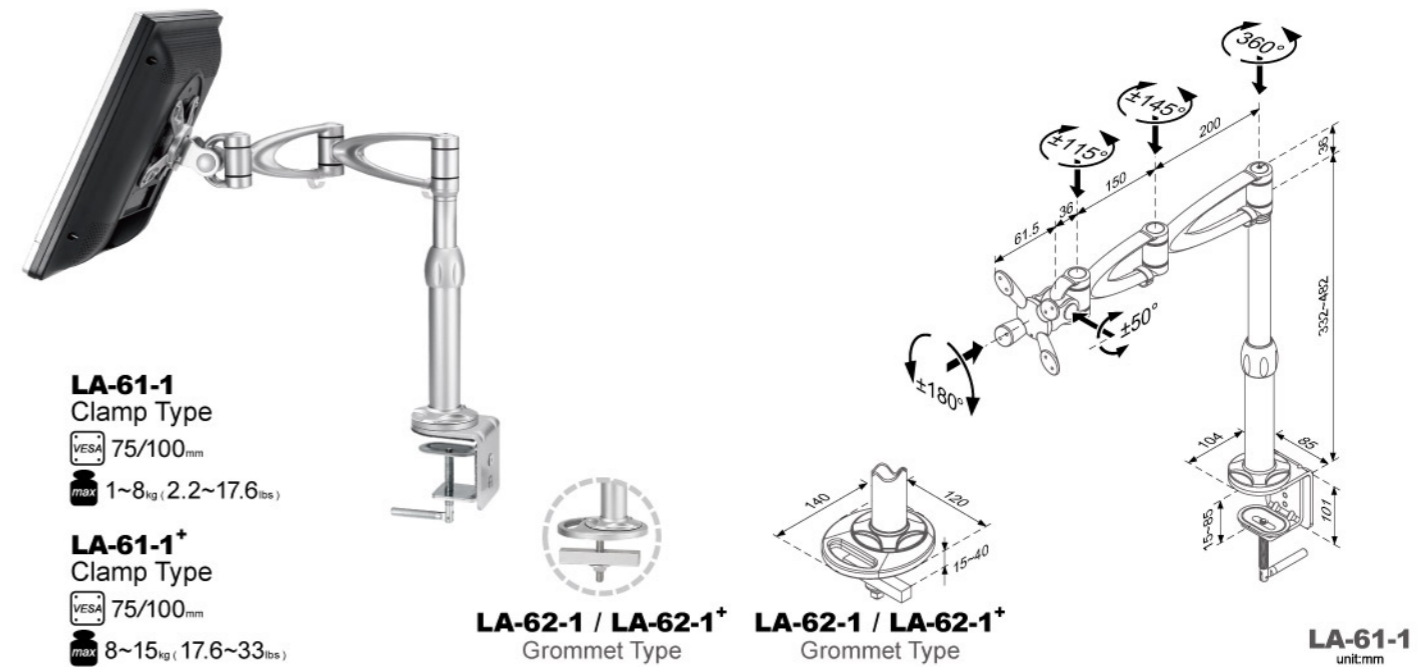
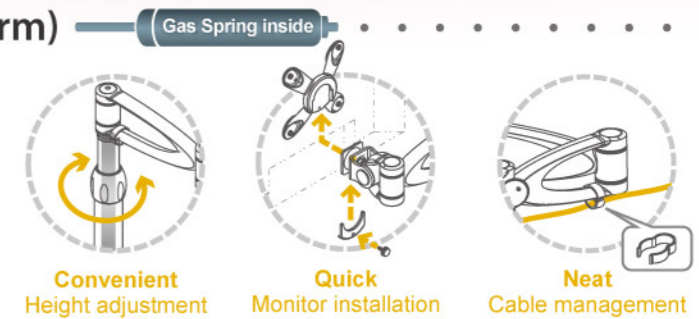
ITEM NO.	LA-55	LA-55D	LA-509	LA-511	LA-511Q	LA-511TN6	LA-512	LA-513	LA-515D	LOADING	LOADING
LA-55-1	●			●			●	●		8	17.6
LA-55-2	●			●				●		10	22
LA-55-3	●			●						12	26.4
LA-55-4	●			●			●			8	17.6
LA-55-5	●			●				●		8	17.6
LA-55-6	●			●			●			10	22
LA-59-2			●	●				●		10	22
LA-59-3			●	●						12	26.4
LA-59-2TN6			●			●		●		6	13.2
LA-59-3TN6			●			●				6	13.2
ITEM NO.	LA-55	LA-55D	LA-509	LA-511	LA-511Q	LA-511TN6	LA-512	LA-513	LA-515D	unit / kg	unit / lb
LA-55D-1		●		●			●	●		8	17.6
LA-55D-2		●		●				●		10	22
LA-55D-3		●		●						12	26.4
LA-515D-1		●		●			●	●	●	16	35.2
ITEM NO.	LA-55	LA-55D	LA-509	LA-511	LA-511Q	LA-511TN6	LA-512	LA-513	LA-515D	unit / kg	unit / lb
LA-55Q-1	●				●		●	●		8	17.6
LA-55Q-2	●				●			●		10	22
LA-55Q-3	●				●					12	26.4
LA-55Q-4	●				●		●			8	17.6
LA-55Q-5	●				●			●		8	17.6
LA-55Q-6	●				●		●			10	22
ITEM NO.	LA-55	LA-55D	LA-509	LA-511	LA-511Q	LA-511TN6	LA-512	LA-513	LA-515D	unit / kg	unit / lb

Archer Series



► Desk Mount Type (Single Monitor Arm)

- Built-in Gas Spring design allows for easy movement.
- Allows the users to have a comfortable viewing angle when sitting or standing.
- Meets current ergonomic guidelines.
- Broad range of flexibility.
- Quick and simple installation.



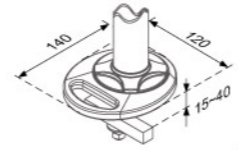
▶ Desk Mount Type (Single Monitor Arm) Gas Spring inside

LA-61-2
Clamp Type
VESA 75/100mm
max 1~8kg (2.2~17.6lbs)

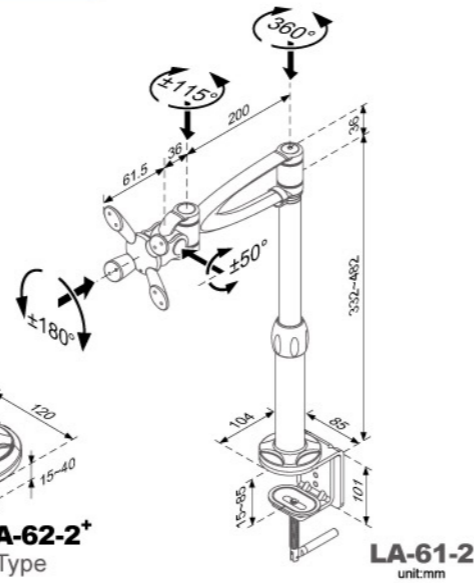
LA-61-2+
Clamp Type
VESA 75/100mm
max 8~15kg (17.6~33lbs)



LA-62-2 / LA-62-2+
Grommet Type



LA-62-2 / LA-62-2+
Grommet Type



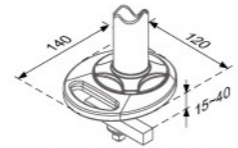
LA-61-2
unit:mm

LA-61-3
Clamp Type
VESA 75/100mm
max 1~8kg (2.2~17.6lbs)

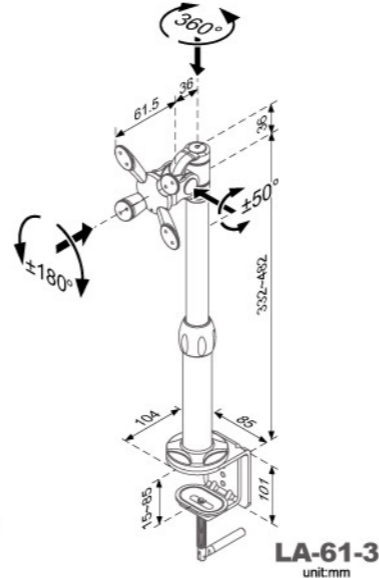
LA-61-3+
Clamp Type
VESA 75/100mm
max 8~15kg (17.6~33lbs)



LA-62-3 / LA-62-3+
Grommet Type



LA-62-3 / LA-62-3+
Grommet Type



LA-61-3
unit:mm

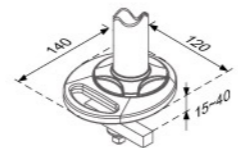
▶ Desk Mount Type (Multiple Monitor Arm) Gas Spring inside

- Setting up 2 monitors.
- Enhances ergonomics and productivity.
- Easy and quick height adjustment.
- Quick and simple installation.
- Gas spring inside allows for easy height adjustment.
- Adjust the monitor to be ideally position you desire.

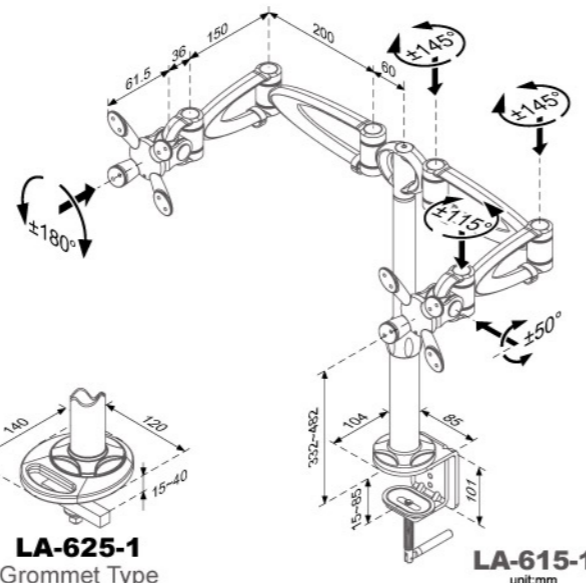
LA-615-1
Clamp Type
VESA 75/100mm
max 8~15kg (17.6~33lbs)



LA-625-1
Grommet Type



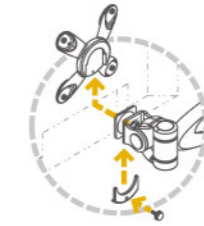
LA-625-1
Grommet Type



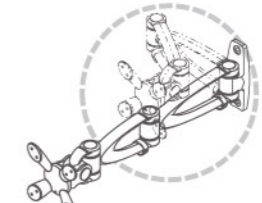
LA-615-1
unit:mm

▶ Wall Mount Type

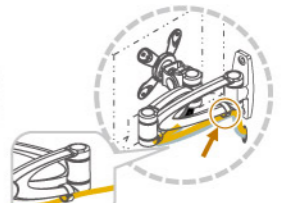
- It is made of high quality aluminum alloy.
- Flexible combinations meet the needs of various markets.
- Aesthetic design offers a pleasant environment.
- Easy and efficient cable mangement.
- Broad range of flexibility.
- Saving the working space.
- Quick and simple installation.



Quick
Monitor installation



Ergonomic
Ideal position movement



Neat
Cable management



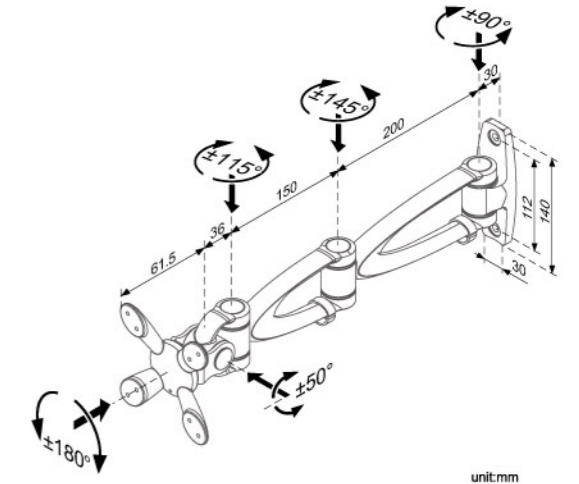
LA-65-1
VESA 75/100mm
max ~15kg (33lbs)



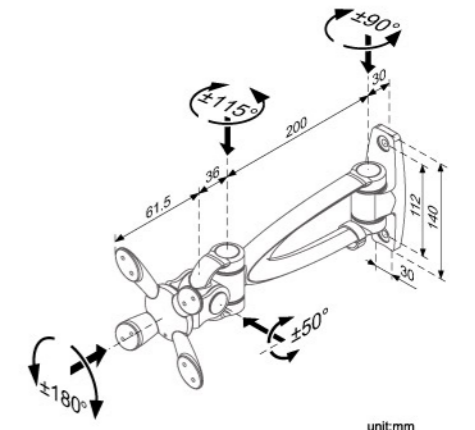
LA-65-2
VESA 75/100mm
max ~15kg (33lbs)



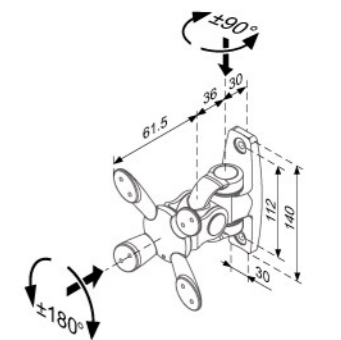
LA-65-3
VESA 75/100mm
max ~15kg (33lbs)



unit:mm



unit:mm



unit:mm

▶ Universal Slat Mount Bracket

- Save the working space.
- Encourage the user to place the monitor in a comfortable viewing position when in use.
- Apply to the tool rail with groove in width of 18~70 mm and min. depth of 4.4 mm.

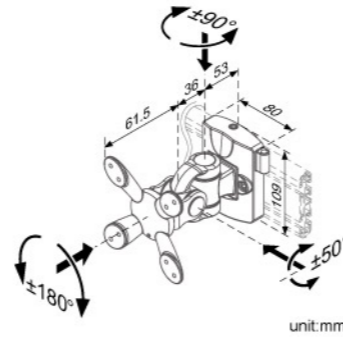
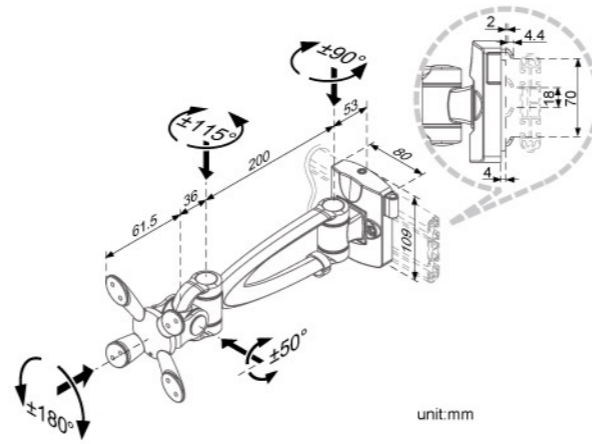


LA-69-2

VESA 75/100mm
max ~10kg (22lbs)

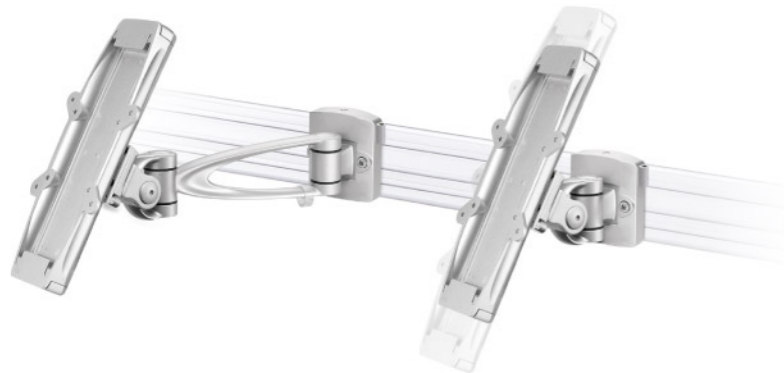
LA-69-3

VESA 75/100mm
max ~12kg (26.4lbs)



▶ Universal Slat Mount Bracket

- The special mechanism design for lift and descent makes the height of the monitor be adjusted easily (height adjustable range: 170mm), when the monitor arm is fixed on the tool rails.
- Apply to the tool rails with groove in width of 18~70 mm and min. depth of 4.4 mm.



LA-69-2TN6

VESA 75/100mm
max 4~6kg (8.8~13.2lbs)

LA-69-3TN6

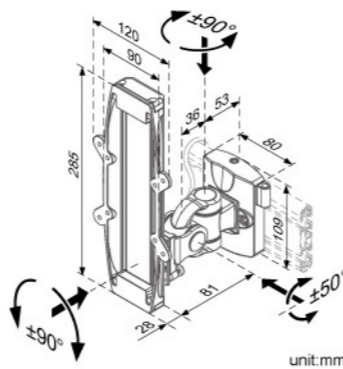
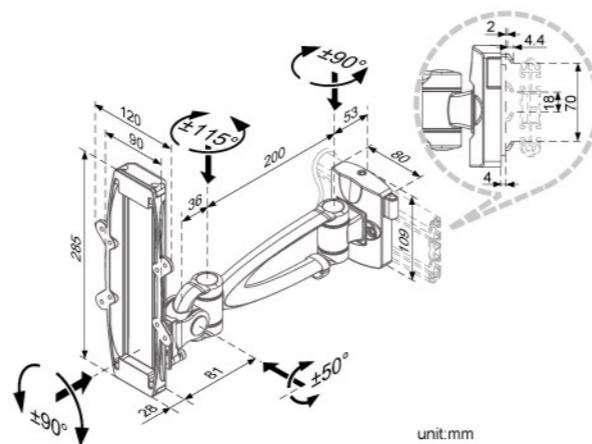
VESA 75/100mm
max 4~6kg (8.8~13.2lbs)

LA-69-2TN8

VESA 75/100mm
max 5.5~7.5kg (12.1~16.5lbs)

LA-69-3TN8

VESA 75/100mm
max 5.5~7.5kg (12.1~16.5lbs)

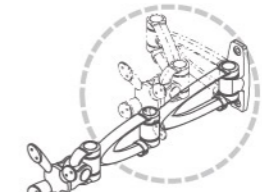


▶ Pole Mount Type (Single Monitor Arm)

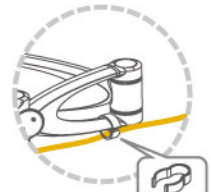
- Ergonomic design and height-adjustable mount are perfect for a comfortable working space.
- Aesthetic design offers a pleasant environment.
- Easy and efficient cable management.
- Quick and simple installation.



Convenient
Height adjustment



Ergonomic
Ideal position movement



Neat
Cable management



LA-6A-1 Clamp Type

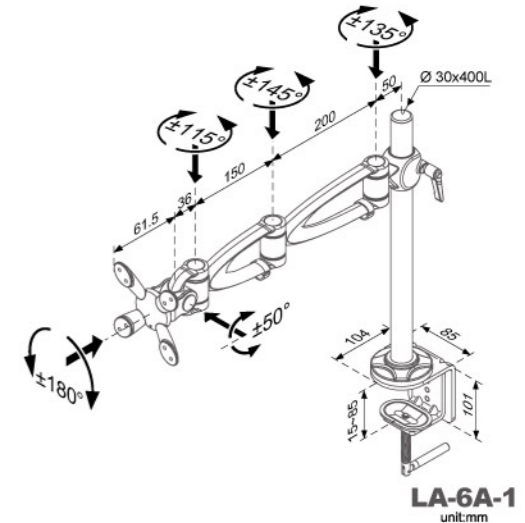
VESA 75/100mm
max ~15kg (33lbs)



LA-6B-1
Grommet Type



LA-6B-1
Grommet Type



LA-6A-2 Clamp Type

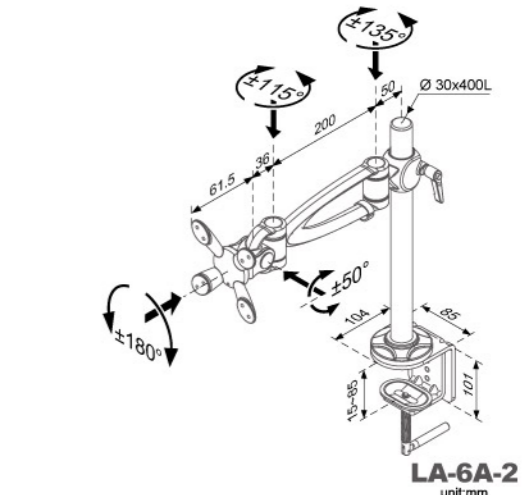
VESA 75/100mm
max ~15kg (33lbs)



LA-6B-2
Grommet Type



LA-6B-2
Grommet Type



LA-6A-3 Clamp Type

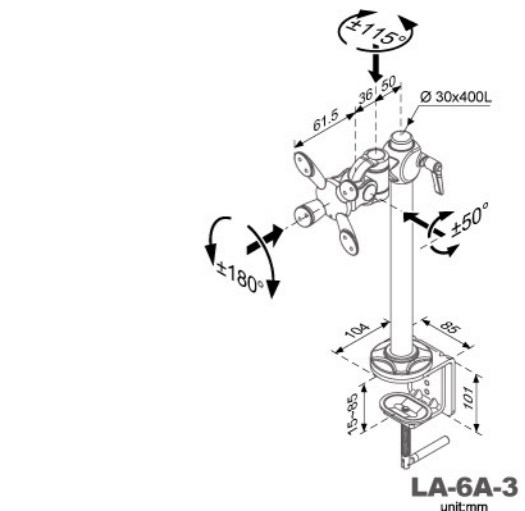
VESA 75/100mm
max ~15kg (33lbs)



LA-6B-3
Grommet Type



LA-6B-3
Grommet Type



▶ Pole Mount Type (Multiple Monitor Arm)

- Setting up 2 monitors.
- Ergonomic design and height-adjustable mount are perfect for a comfortable working space.
- Quick and simple installation.



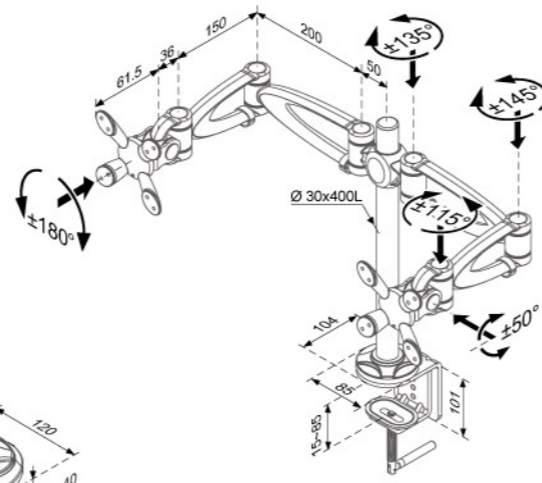
LA-6A5-1
Clamp Type
VESA 75/100mm
max ~30kg (66lbs)



LA-6B5-1
Grommet Type



LA-6B5-1
Grommet Type



unit:mm

▶ Pole Mount Type (Multiple Monitor Arm)

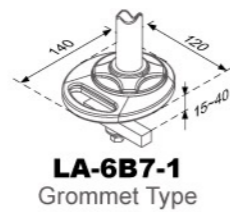
- Setting up 4 monitors.
- Aesthetic design offers a pleasant environment.
- Easy and efficient cable management.



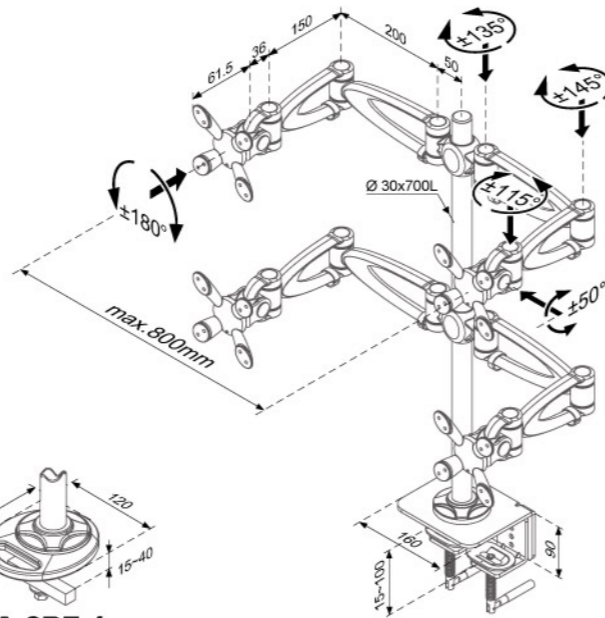
LA-6A7-1
Clamp Type
VESA 75/100mm
max ~36kg (79.2lbs)



LA-6B7-1
Grommet Type



LA-6B7-1
Grommet Type



unit:mm

Phoenix Series



● Applications: Consulting room, Office, Counter, etc.

▶ Single Monitor Arm — Gas Spring inside

- Broad range of flexibility.
- Mounting Solutions available include: Clamp, Grommet, & Stand Type.
- Quick and simple installation.
- Easy to move the monitor to your desired position.



Neat Cable management



Gas Spring Integrated.



Quick Monitor installation

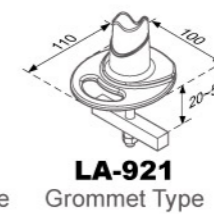


LA-911
Clamp Type
VESA 75/100mm
max 4~9kg (8.8~19.8lbs)

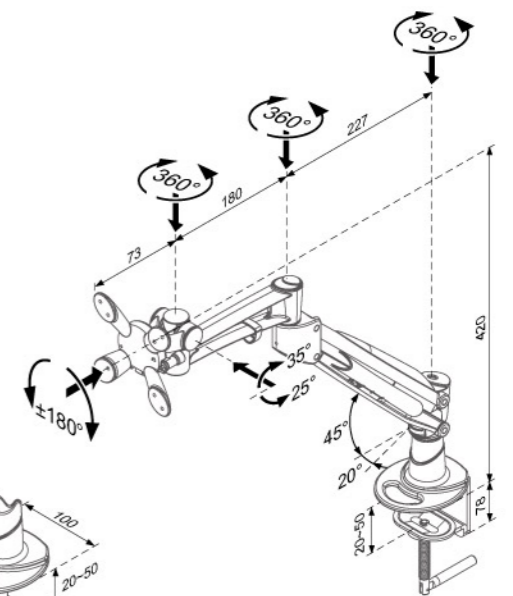
LA-912
Clamp Type
VESA 75/100mm
max 8~15kg (17.6~33lbs)



LA-921
Grommet Type



LA-921
Grommet Type



LA-911
unit:mm

► Notebook Monitor Arm Gas Spring Inside

- It can be used as a monitor while connecting with another keyboard.
- The notebook arm stays steady while users are typing.
- The handle of LA-911N helps reposition the notebook for optimal viewing comfort easily.
- The embedded gas spring technology helps easy adjustment.

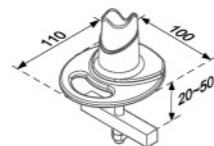
● It stays stable while you're typing.



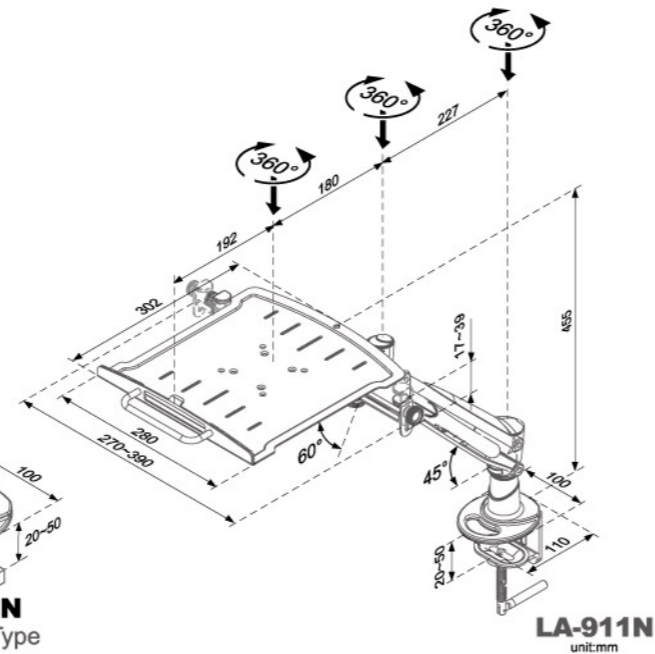
LA-911N
Clamp Type
max 1~5kg (2.2~11 lbs)



LA-921N
Grommet Type



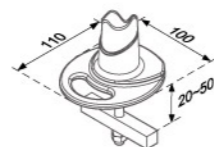
LA-921N
Grommet Type



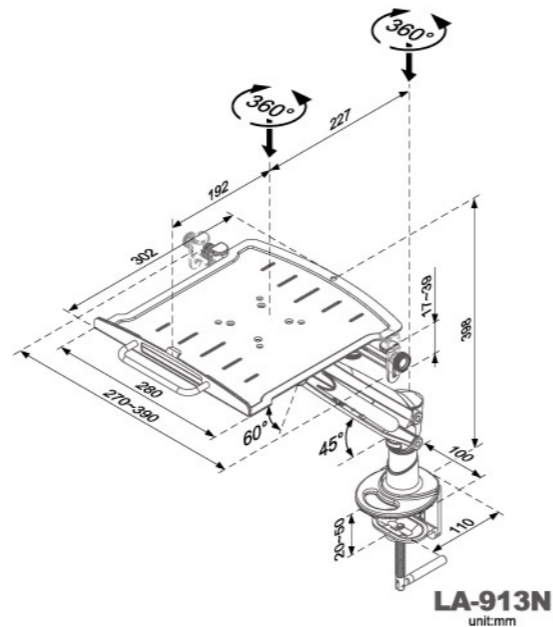
LA-913N
Clamp Type
max 1~5kg (2.2~11 lbs)



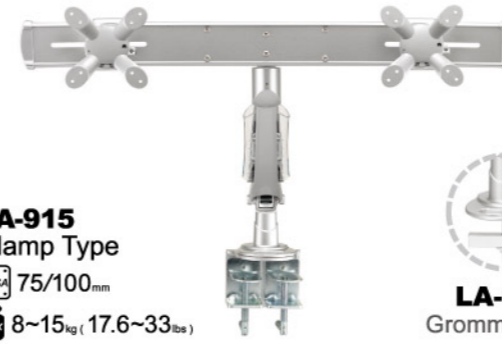
LA-923N
Grommet Type



LA-923N
Grommet Type



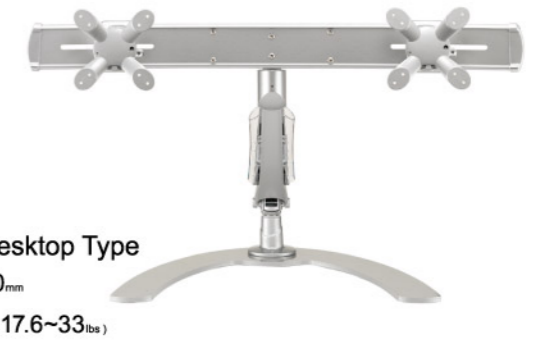
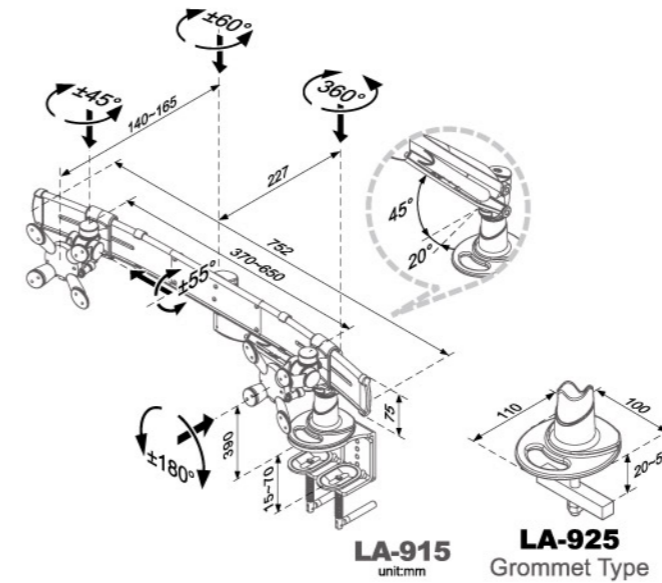
► Dual Monitor Arm Gas Spring Inside



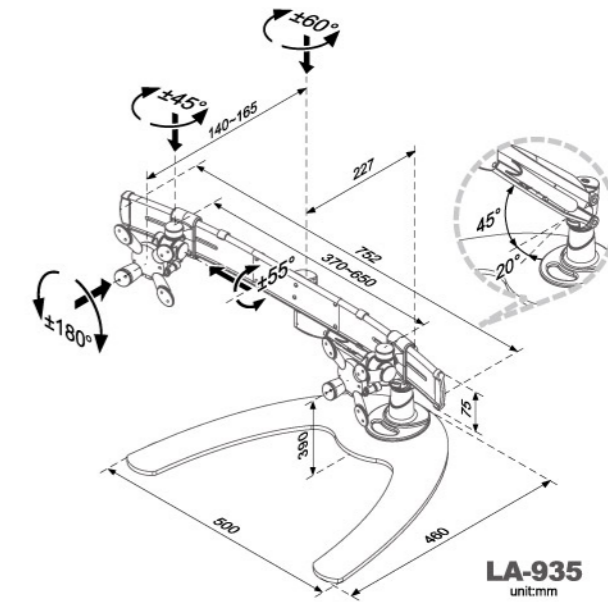
LA-915
Clamp Type
VESA 75/100mm
max 8~15kg (17.6~33 lbs)



LA-925
Grommet Type



LA-935
Mobile Desktop Type
VESA 75/100mm
max 8~15kg (17.6~33 lbs)



► Specifications

Spec. Item No.	Type	Clamp	Grommet	Stand	Single Arm	Dual Arm	Single Monitor	Dual Monitor	Notebook Monitor	Weight			VESA
										max 1~5kg (2.2~11 lbs) /single arm	max 4~9kg (8.8~19.8 lbs) /single arm	max 8~15kg (17.6~33 lbs) /single arm	
LA-911		●				●	●						75/100mm
LA-911N		●				●			●	●			X
LA-912		●				●	●				●		75/100mm
LA-913		●			●		●				●		75/100mm
LA-913N		●			●				●	●			X
LA-914		●			●		●				●		75/100mm
LA-915		●			●			●			●		75/100mm
LA-921			●			●	●				●		75/100mm
LA-921N			●			●			●	●			X
LA-922			●			●	●				●		75/100mm
LA-923			●		●		●				●		75/100mm
LA-923N			●		●				●	●			X
LA-924			●		●		●				●		75/100mm
LA-925			●		●			●			●		75/100mm
LA-933				●	●		●				●		75/100mm
LA-935				●	●			●			●		75/100mm

GAS Spring Arm



LA-70 Series Gas Spring inside

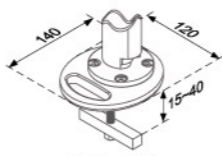
- Built-in Gas Spring design is very simple to move as high as 625.5mm and it's extendable as 655.5mm, which makes a monitor stop wherever you want it to be!
- Allows many users to sit or stand & comfortably view display.



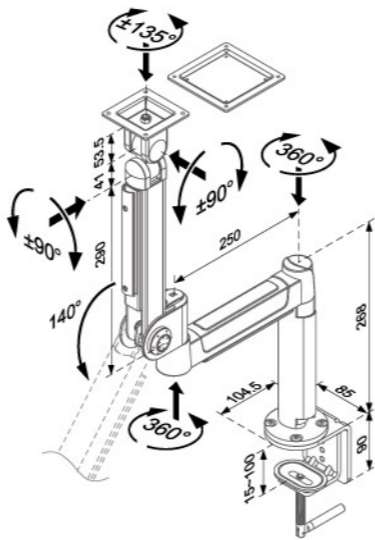
LA-71
Clamp Type
VESAs 75/100mm
max 2~8kg (4.4~17.6lbs)



LA-72
Grommet Type



LA-72
Grommet Type



LA-20 Series (Desk Mount Type) Gas Spring inside

- Adjusts the screen to the most comfortable viewing angle.
- Holds the screen in any position without the need of knobs or levers.
- Provides clockwise and counterclockwise rotation of the arm.
- Cable location helps to organize the cables in order.



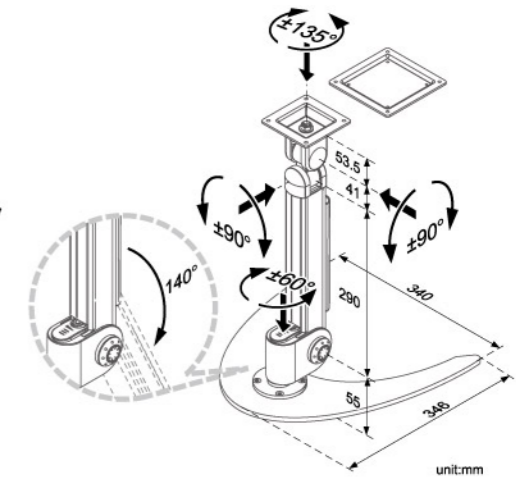
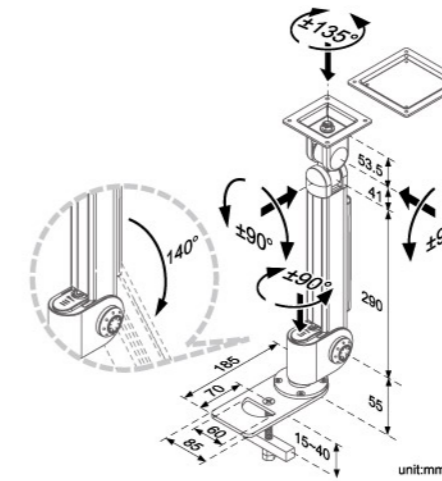
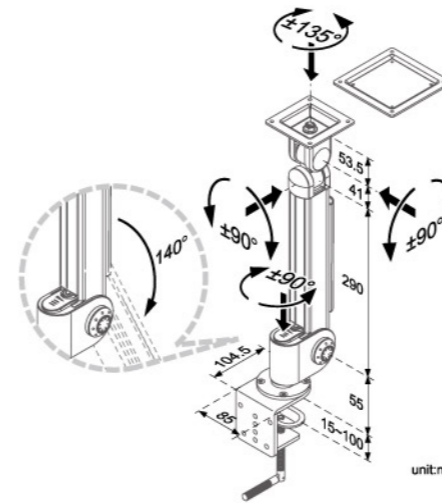
LA-21
Clamp Type
VESAs 75/100mm
max 2~8kg (4.4~17.6lbs)



LA-22
Grommet Type
VESAs 75/100mm
max 2~8kg (4.4~17.6lbs)



LA-23
Mobile Desktop Type
VESAs 75/100mm
max 2~8kg (4.4~17.6lbs)

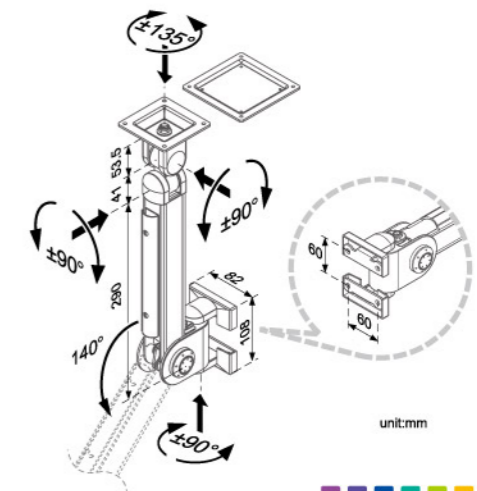


LA-20 Series (Wall Mount Type) Gas Spring inside

- Firmly fix on solid wall.
- Compatible with LA-251.



LA-25
Wall Mount Type
VESAs 75/100mm
max 2~8kg (4.4~17.6lbs)



PC Workstation



Applications:

It provides a mobile computing platform. A mobile computing platform can be used in factories, hospitals, shopping malls, retail stores and department stores, etc.

Mobile Computing Workstation Cart

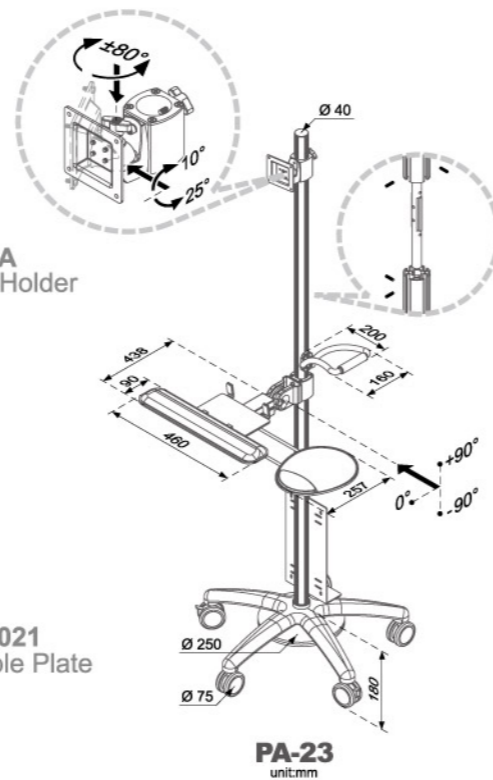
- Accommodates sitting & standing users and matches different users' heights.
- Mouse support tray can be attached to the right or left hand side.
- 5 casters, 3 locking.
- Safe belt adjustment for different sizes of CPU holders and UPS (uninterruptible power supply).
- The keyboard arm can be folded to save space.
- Material: aluminum alloy.



PA-23
 VESA 75/100mm
 Overall Height from the floor: 1850mm



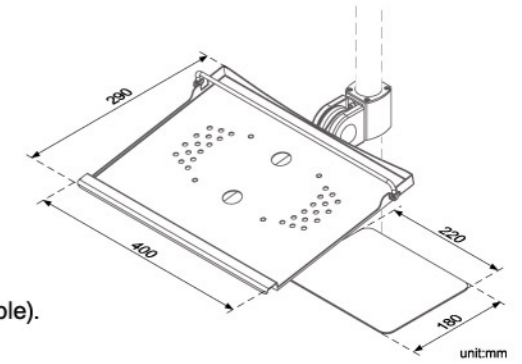
PA-24
 VESA 75/100mm
 Overall Height from the floor: 1350mm



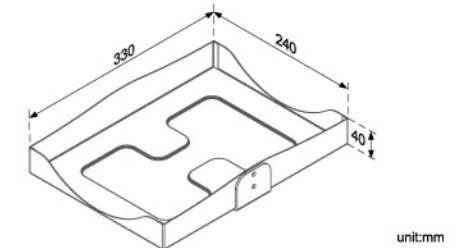
Mobile Computing Workstation Cart Optional



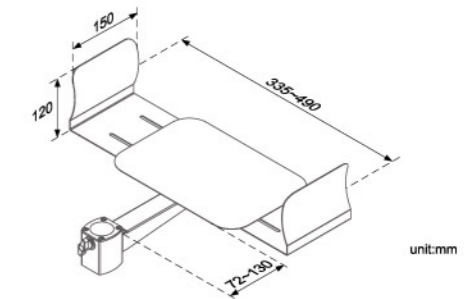
KA-01N
 Notebook Holder
 ~15.4"
 max 2~5kg (4.4~11 lbs)
 Burglarproof function is offered (excluding burglarproof lock & cable).



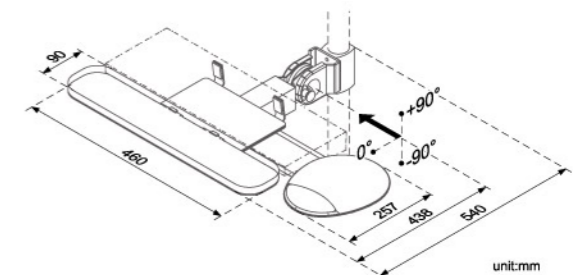
KA-01G
 Paper Tray
 max ~5kg (11 lbs)



KA-01P
 Printer Holder
 max ~6kg (13.2 lbs)
 Compatible with PA-110, 111, 113, 23 and PA-24.



KA-01A
 Keyboard Arm

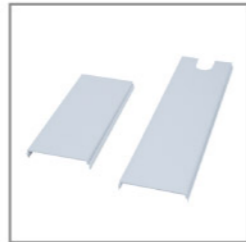


Track System

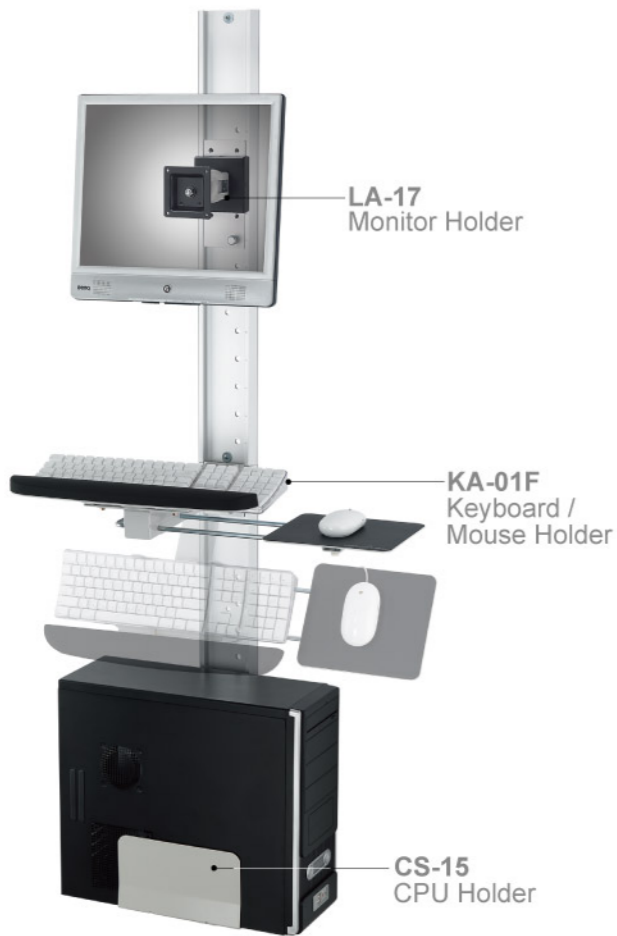
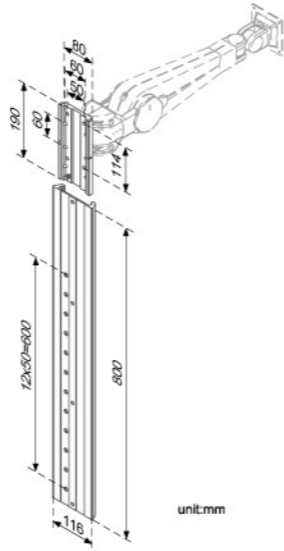
- Can be fixed at different location (50 mm / pitch).
- Track is made of aluminum alloy.
- Different lengths of track available.
- Can be fixed vertically or horizontally to a suitable surface.



LA-251



LA-251TC
Track Cover



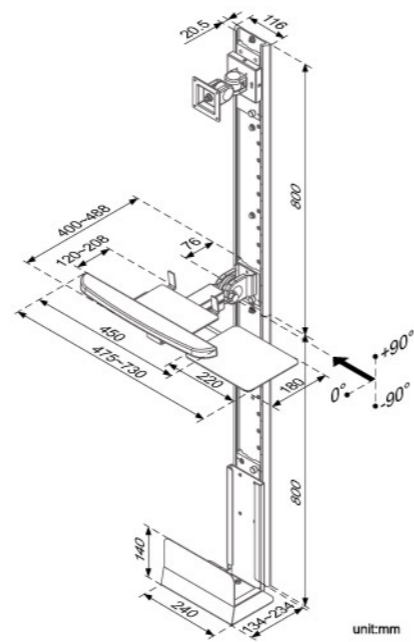
LA-251(2pcs) + LA-17 + KA-01F+CS-15



LA-251+LA-55D-1



LA-251+LA-17+KA-01F



Track System Optional

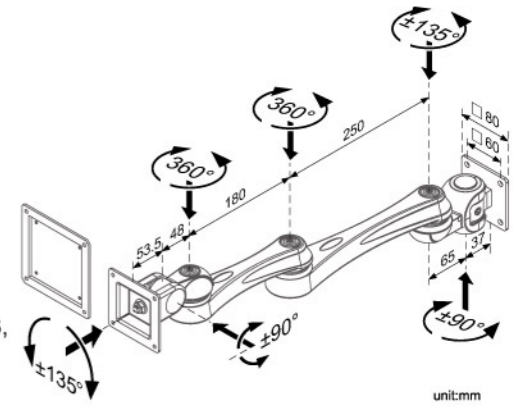


LA-55D-1
Monitor Arm

VESA 75/100mm

max ~8kg (17.6lbs)

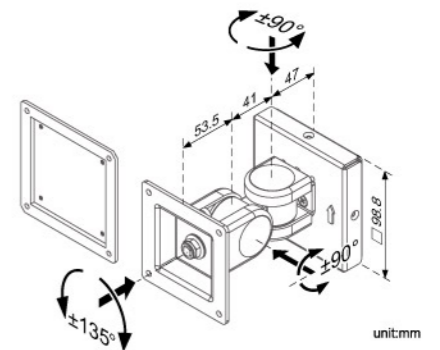
More options: LA-55D-2, LA-55D-3, LA-515D-1 can be used



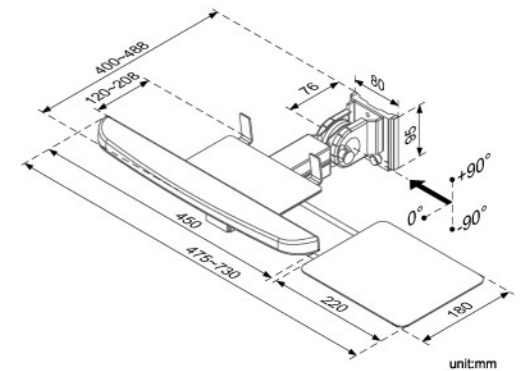
LA-17L
Monitor Arm

VESA 75/100mm

max ~8kg (17.6lbs)

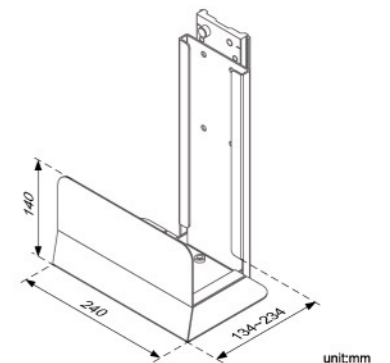


KA-01F
Keyboard Arm



CS-15
CPU Holder

max ~20kg (44lbs)



Economic Monitor Arm

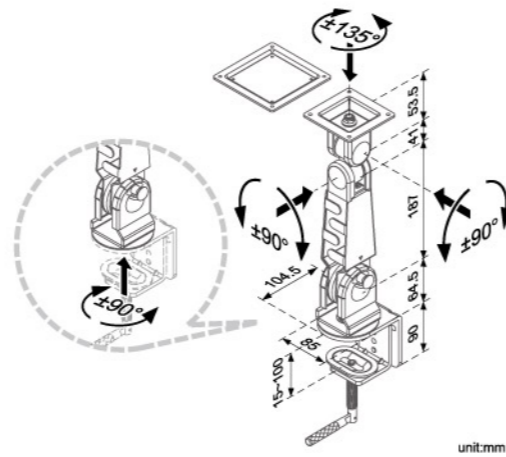


▶ Economic Monitor Arm

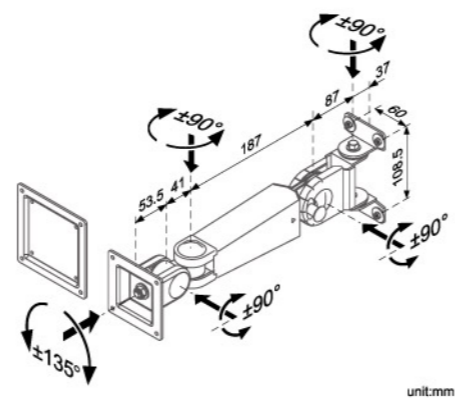
- Fully cable managed for concealing untidy cables.
- Height adjustment is achieved by a lever mechanism.



LA-11
Desk Clamp Type
VESA 75/100mm
max ~6kg (13.2lbs)



LA-12
Wall Mount Type
VESA 75/100mm
max ~6kg (13.2lbs)



Simple Arm



Applications:
SOHO, Office, Financial, Information Counter,
Public Area...

▶ LCD Monitor Wall Mount Kit

- Handy and Convenient supporter.
- Firmly fix on solid wall.



LA-16GV
VESA 75/100mm
max ~8kg (17.6lbs)



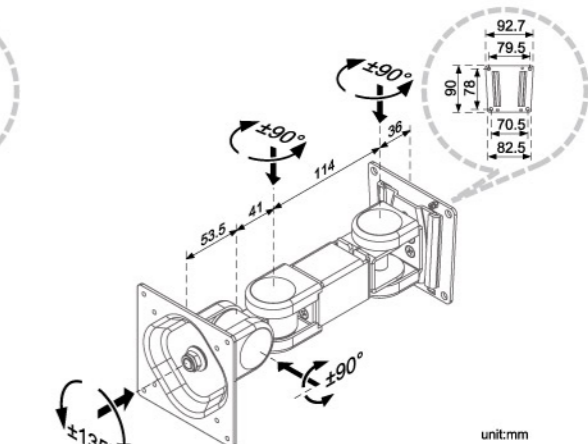
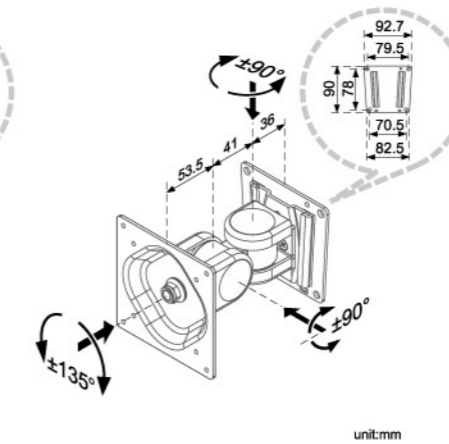
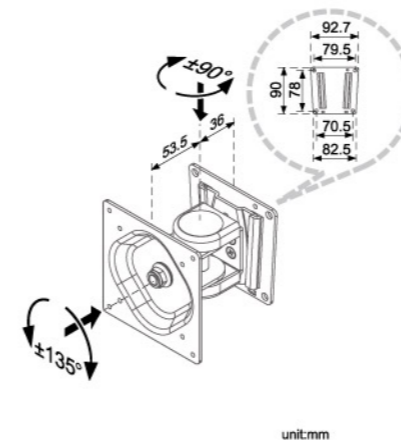
LA-17GV
VESA 75/100mm
max ~8kg (17.6lbs)



LA-37GV
VESA 75/100mm
max 7~14kg (15.4~30.8lbs)



LA-18GV
VESA 75/100mm
max ~8kg (17.6lbs)

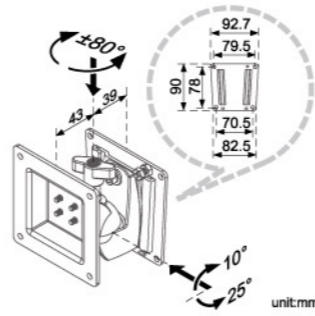


▶ LCD Monitor Wall Mount Kit

- Cute wall mount kit.
- Firmly fix on solid wall.
- Constructed of hard wear plastic.

LA-19

VESA 75mm
max ~6kg (13.2lbs)



▶ Slot Mount Option

- Compatible with PA-101A, 102A, and PA-103A.

LA-17P

VESA 75mm
max ~8kg (17.6lbs)



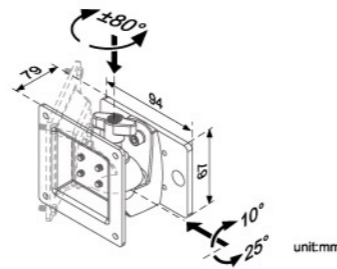
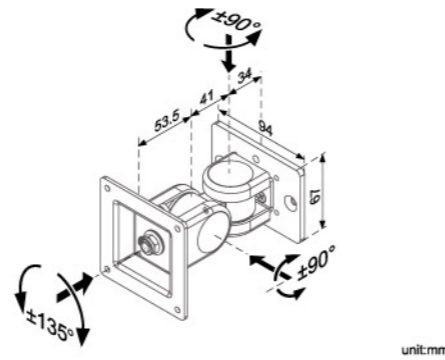
LA-37P

VESA 75/100mm
max 7~14kg (15.4~30.8lbs)



LA-19P

VESA 75mm
max ~6kg (13.2lbs)



▶ Column Type

- Compatible with PA-110, 111, 113, 23 and PA-24.
- Ingenious cam wrench design can be secured or loosened easily.

- It can adjust to various angles to suit each user's requirement.

LA-17Q

VESA 75mm
max ~8kg (17.6lbs)



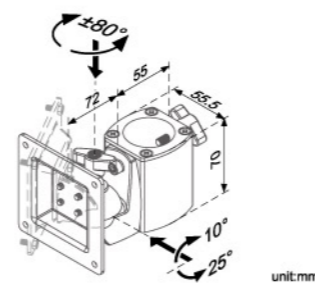
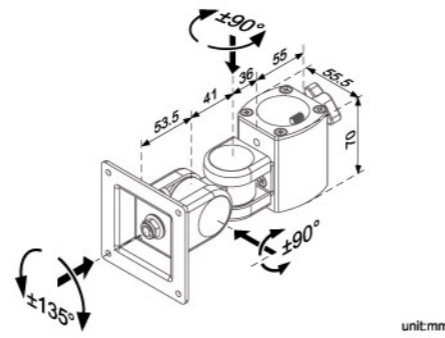
LA-37Q

VESA 75/100mm
max 7~14kg (15.4~30.8lbs)



LA-19Q

VESA 75mm
max ~6kg (13.2lbs)



▶ Pole / Pipe Mounting Bracket

- Great space saver to carry several monitors into a pole or pipe at the same time.
- The monitor can be fixed into pole since the arm is clamped tightly against the pole.
- Some best applicable locations: Operational platform, any place with industrial equipment, etc.

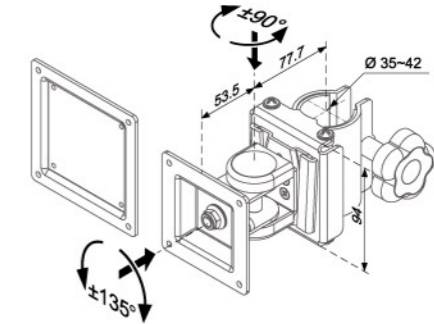
LA-16SN

VESA 75/100mm
max ~8kg (17.6lbs)
Ø 35~42



LA-16SW

VESA 75/100mm
max ~8kg (17.6lbs)
Ø 42~52



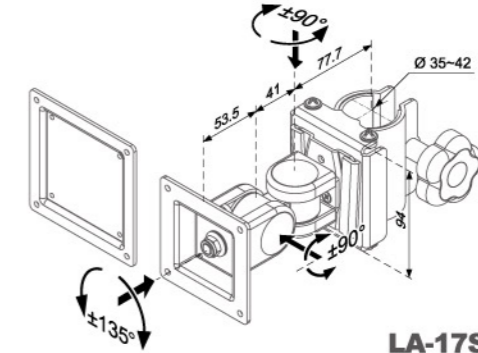
LA-17SN

VESA 75/100mm
max ~8kg (17.6lbs)
Ø 35~42



LA-17SW

VESA 75/100mm
max ~8kg (17.6lbs)
Ø 42~52



LA-18SN

VESA 75/100mm
max ~8kg (17.6lbs)
Ø 35~42



LA-18SW

VESA 75/100mm
max ~8kg (17.6lbs)
Ø 42~52

