

MODERNSOLID

Global Series



JUST ONE FINGER!

Global Series

Free up your workspace

MODERNSOLID INDUSTRIAL CO., LTD.

NO.11-2, Wu Nan Rd., Wu Chi Dist., Taichung City 435, Taiwan.
TEL: 886-4-26397717 / 886-4-26398669 (Rep.) / FAX: 886-4-26398333
Website: www.modernsolid.com / E-mail: info@modernsolid.com.tw

2023.05



modernsolid.com

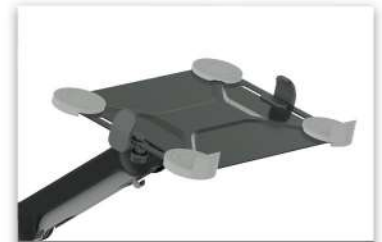


MODERNSOLID

Desk Mount



Quick installation VESA
1901-PT02



Optional Laptop holder
OP-050

- Ergonomic design ensures monitor positioned in any desirable position.
- Slim and streamlined design frees up desk space.
- Cable management.
- Notebook Holder(optional):
Design for laptop user, enjoy the flexibility when changing position from sitting to standing.



Desk Mount

Gas Spring inside



Clamp Type

1801 / 1901 (Quick installation VESA)

VESA 75/100_{mm}

max 2~9_{kg} (4.4~19.8_{lbs})

Grommet Type

1821 / 1921 (Quick installation VESA)

VESA 75/100_{mm}

max 2~9_{kg} (4.4~19.8_{lbs})



Clamp Type

1802 / 1902 (Quick installation VESA)

VESA 75/100_{mm}

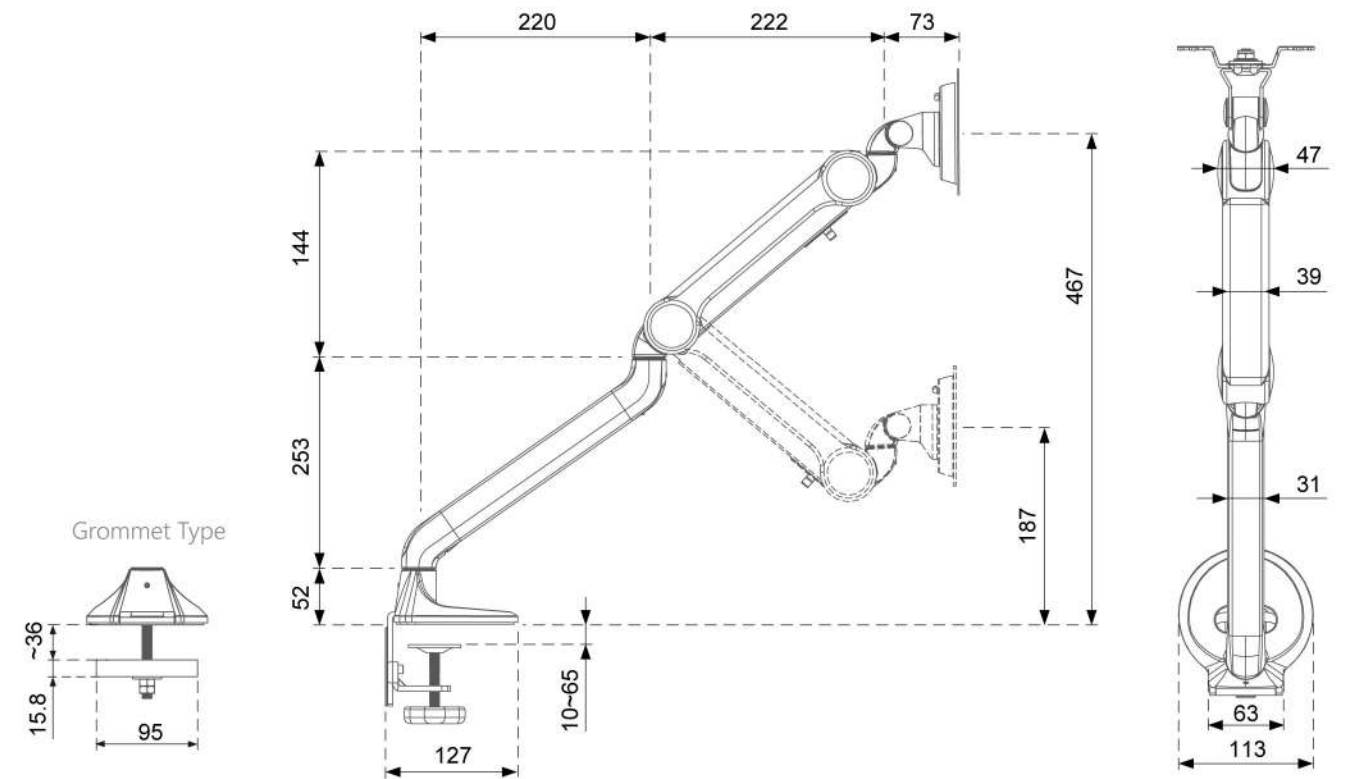
max 2~9_{kg} (4.4~19.8_{lbs}) / single arm

Grommet Type

1822 / 1922 (Quick installation VESA)

VESA 75/100_{mm}

max 2~9_{kg} (4.4~19.8_{lbs}) / single arm

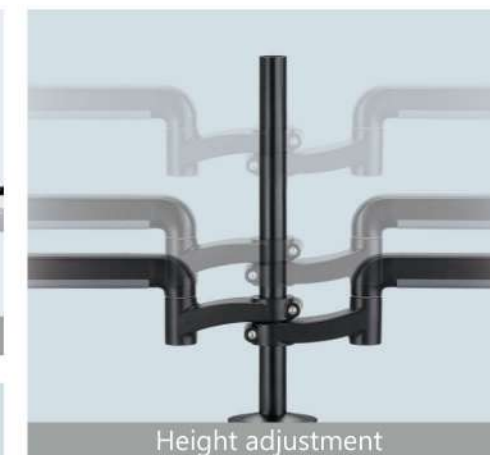
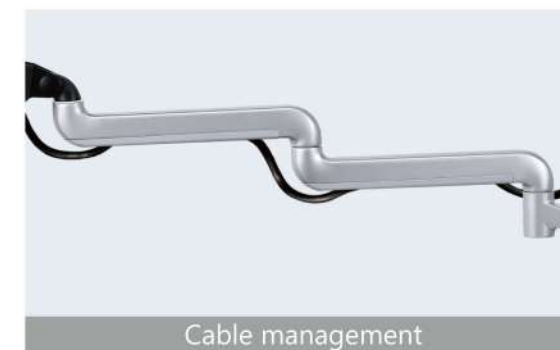


unit:mm

Pole Mount



- Pole mount type provides the variety of configuration from single screen to multiple screens for fitting the different application needs of workplace.
- Small desk mount saves the desk space with clean look.
- Cable management.
- Notebook Holder(optional):
Design for laptop user, enjoy the flexibility when changing position from sitting to standing.



1803/1903 Series

Gas Spring inside



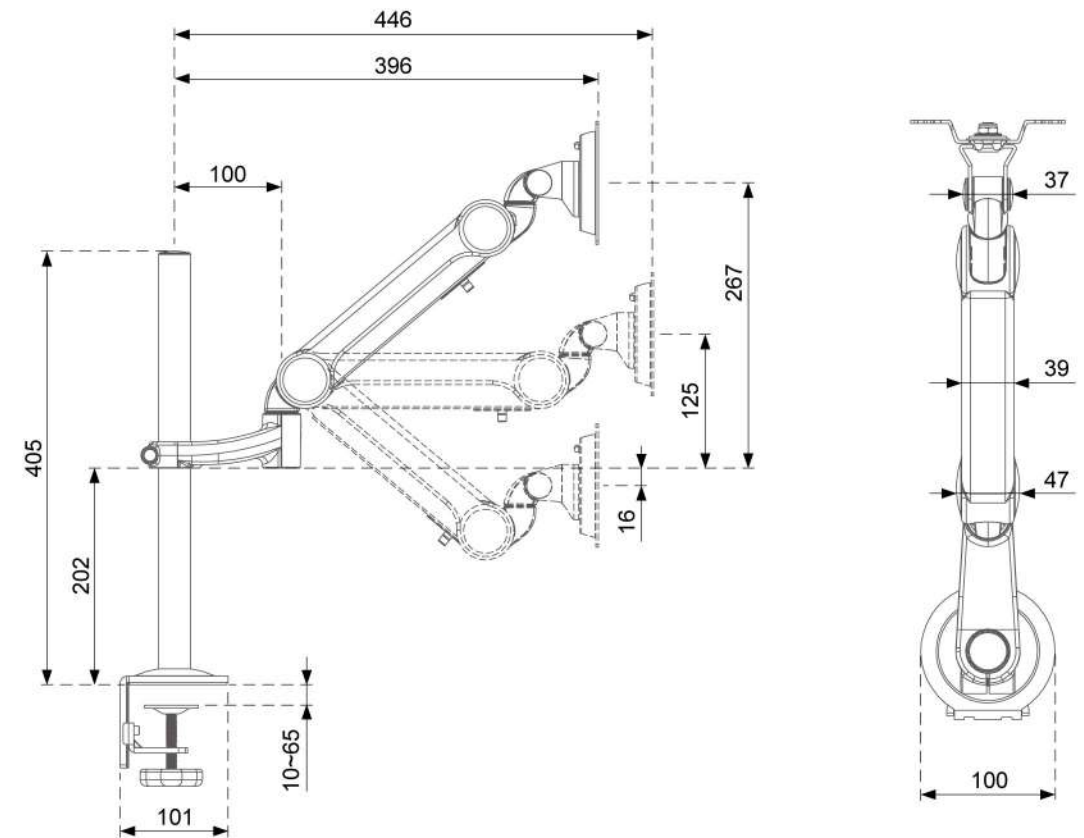
1803-1 / 1903-1 (Quick installation VESA)
 VESA 75/100mm
 max 2~9kg (4.4~19.8lbs)



1803-1N
 max ~5.5kg (~12.12lbs)



1803-2 / 1903-2 (Quick installation VESA)
 VESA 75/100mm
 max 2~9kg (4.4~19.8lbs) / single arm



unit:mm

1805/1905 Series

Gas Spring inside



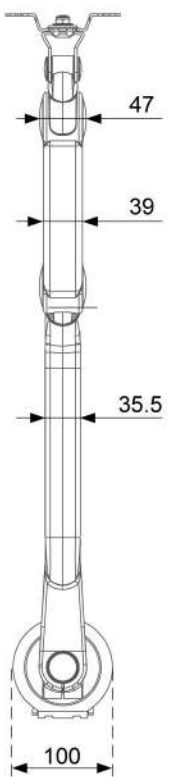
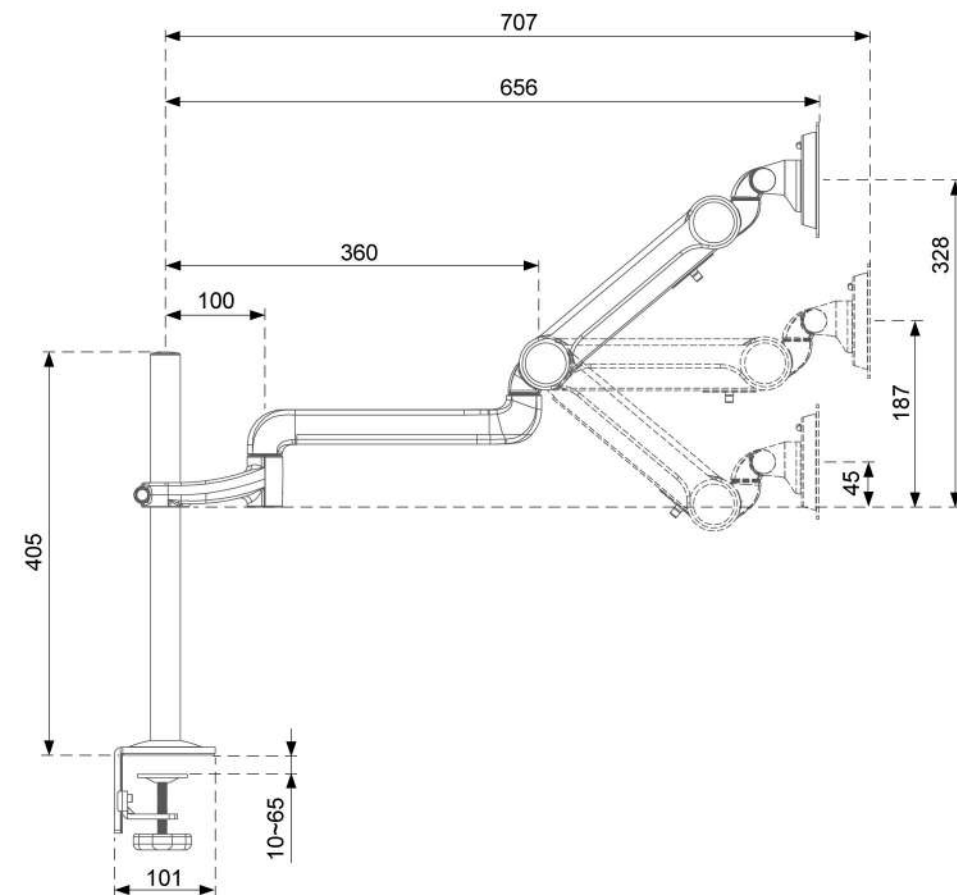
1805-1 / 1905-1 (Quick installation VESA)
 VESA 75/100mm
 max 2~9kg (4.4~19.8 lbs)



1805-2 / 1905-2 (Quick installation VESA)
 VESA 75/100mm
 max 2~9kg (4.4~19.8 lbs) / single arm



1805-3 / 1905-3 (Quick installation VESA)
 VESA 75/100mm
 max 2~9kg (4.4~19.8 lbs) / single arm



unit:mm

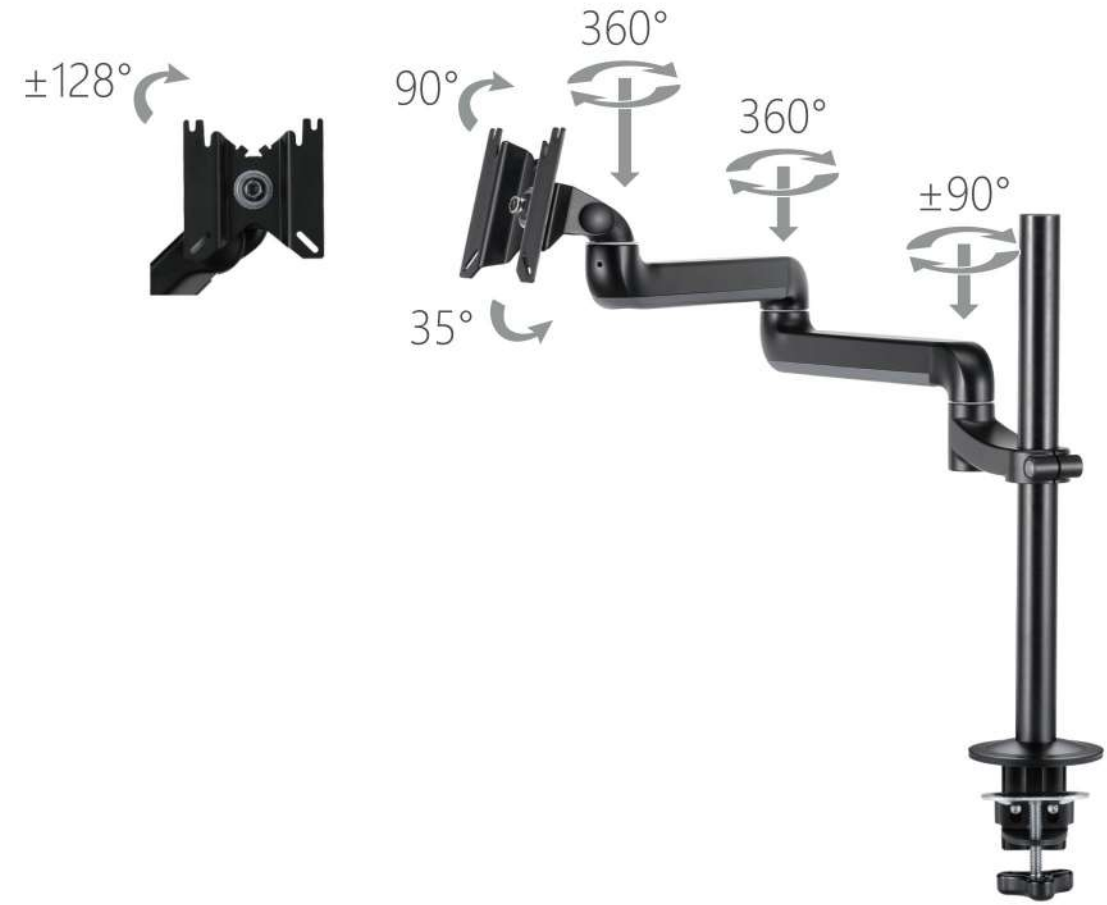
1806/1906 Series



1806Z-1 / 1906Z-1 (Quick installation VESA)
 VESA 75/100mm
 max 2~9kg (4.4~19.8 lbs)



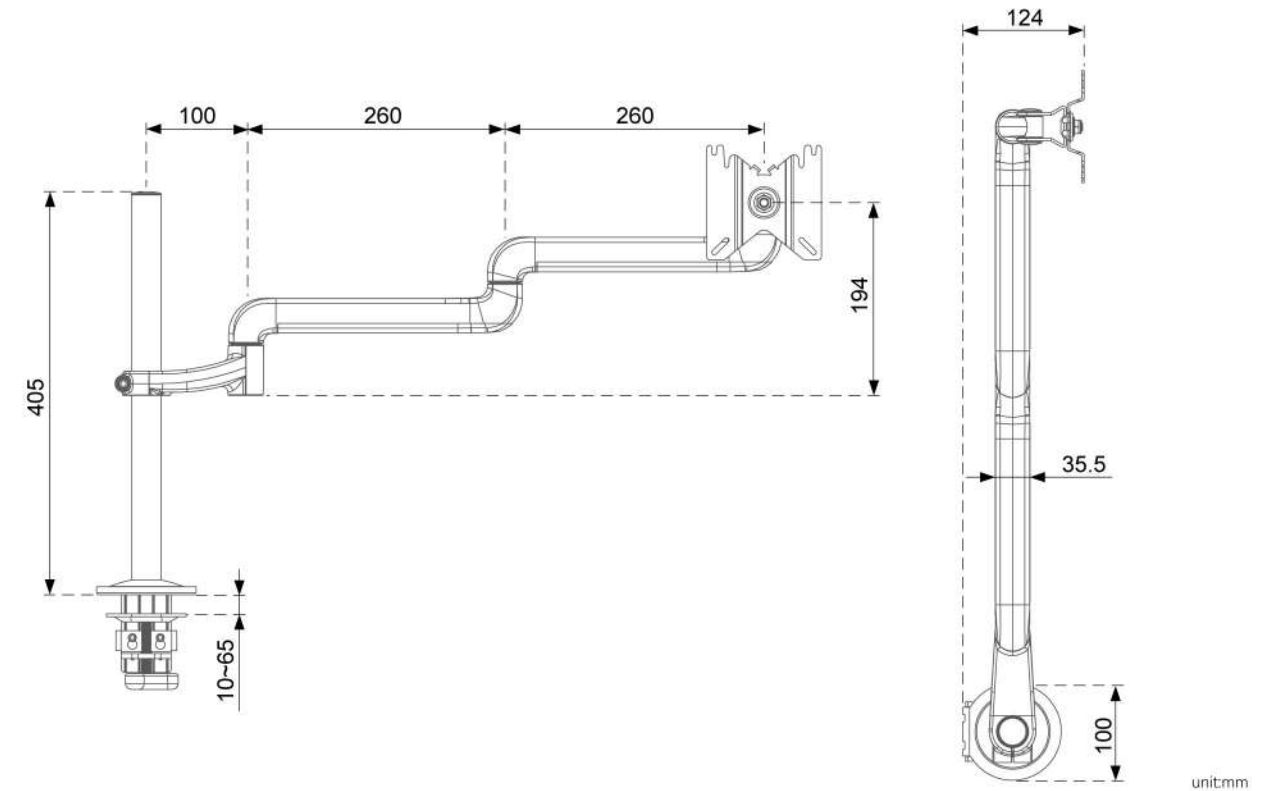
1806-1 / 1906-1 (Quick installation VESA)
 VESA 75/100mm
 max 2~9kg (4.4~19.8 lbs) / single arm



1806-2 / 1906-2 (Quick installation VESA)
 VESA 75/100mm
 max 2~9kg (4.4~19.8 lbs) / single arm



1806-3 / 1906-3 (Quick installation VESA)
 VESA 75/100mm
 max 2~9kg (4.4~19.8 lbs) / single arm



Simple Mount



- The special designed mount is combined with pole mount and non-dynamic arm.
- This simple configuration is perfect for the simple operation of monitor arm.



Clamp Type

1807 / 1907 (Quick installation VESA)

VESA 75/100mm

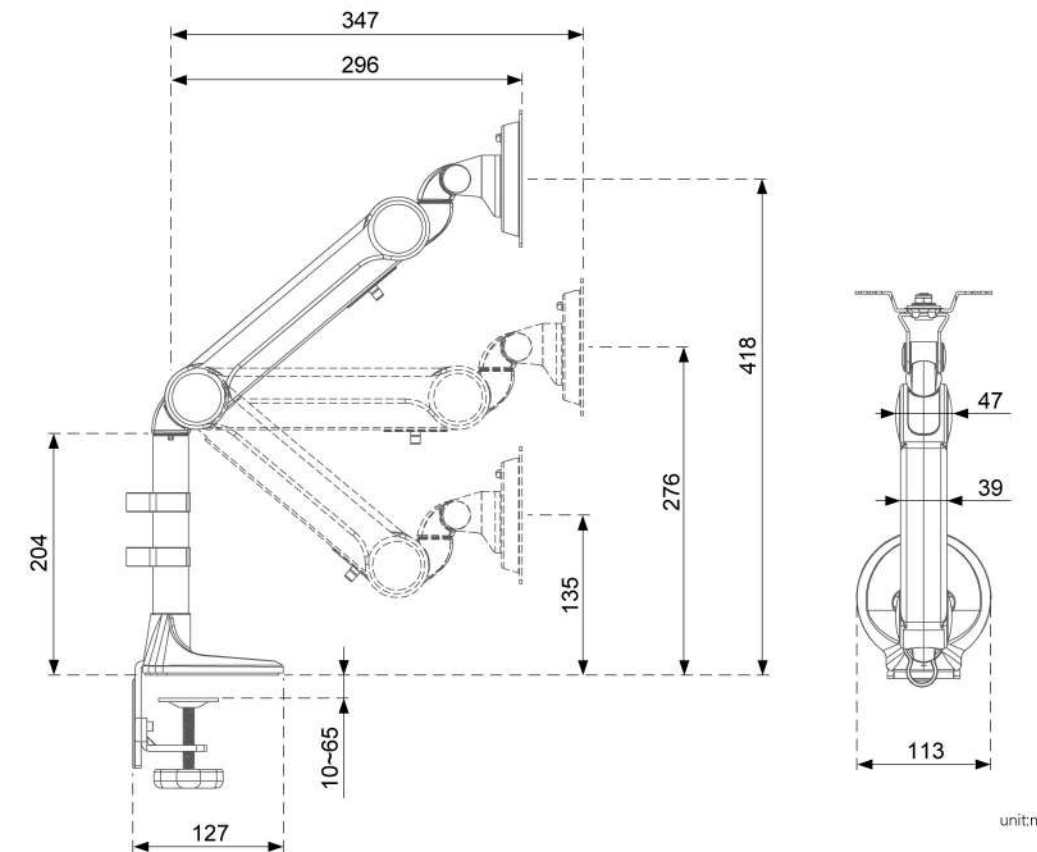
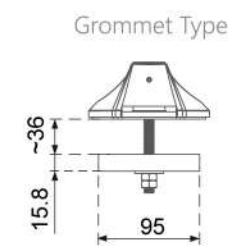
max 2~9kg (4.4~19.8lbs)

Grommet Type

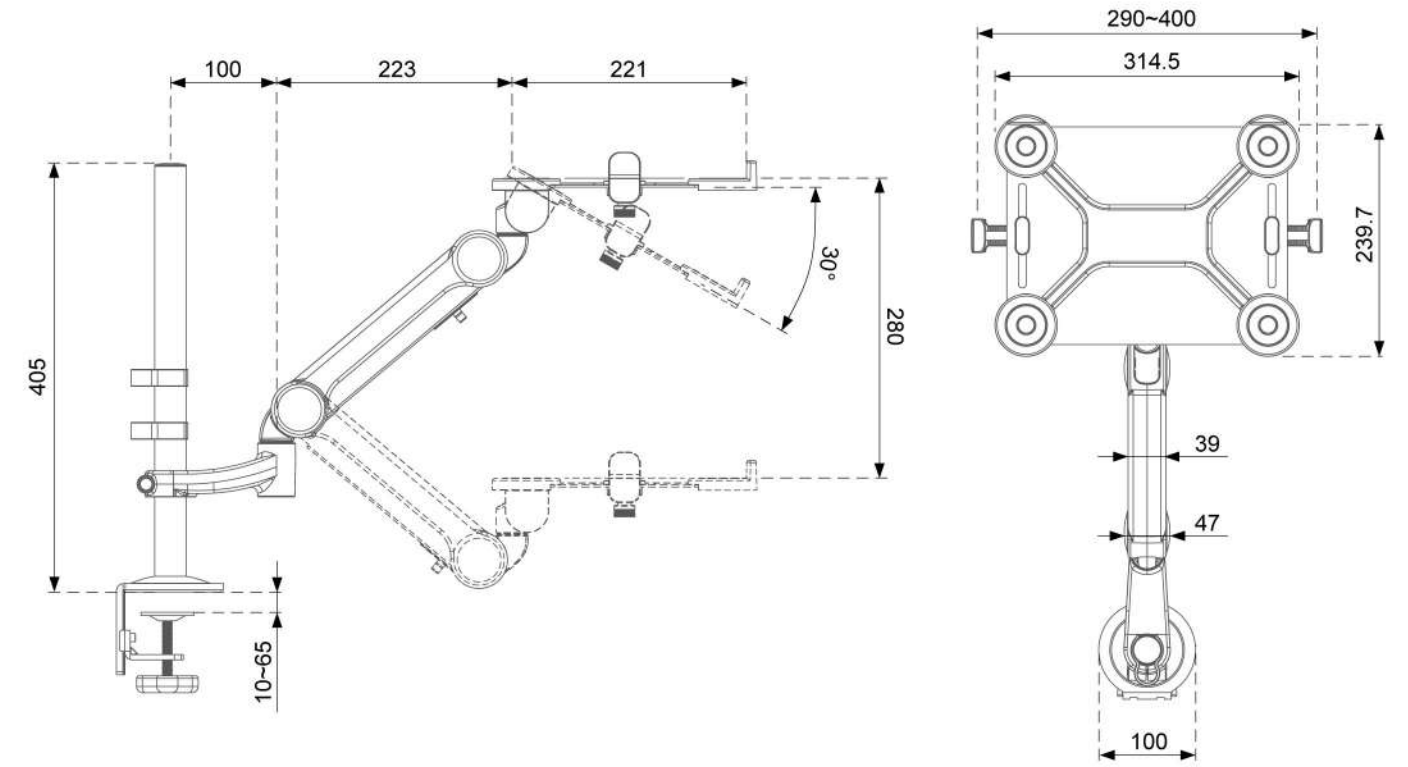
1827 / 1927 (Quick installation VESA)

VESA 75/100mm

max 2~9kg (4.4~19.8lbs)



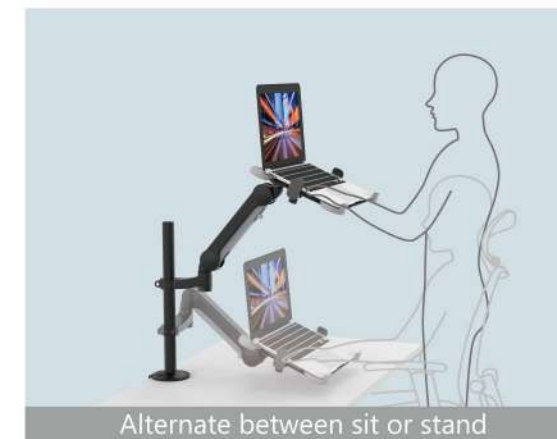
Sit-Stand Laptop Arm



unit:mm



1803-1N
 max ~5.5kg (~12.12lbs)



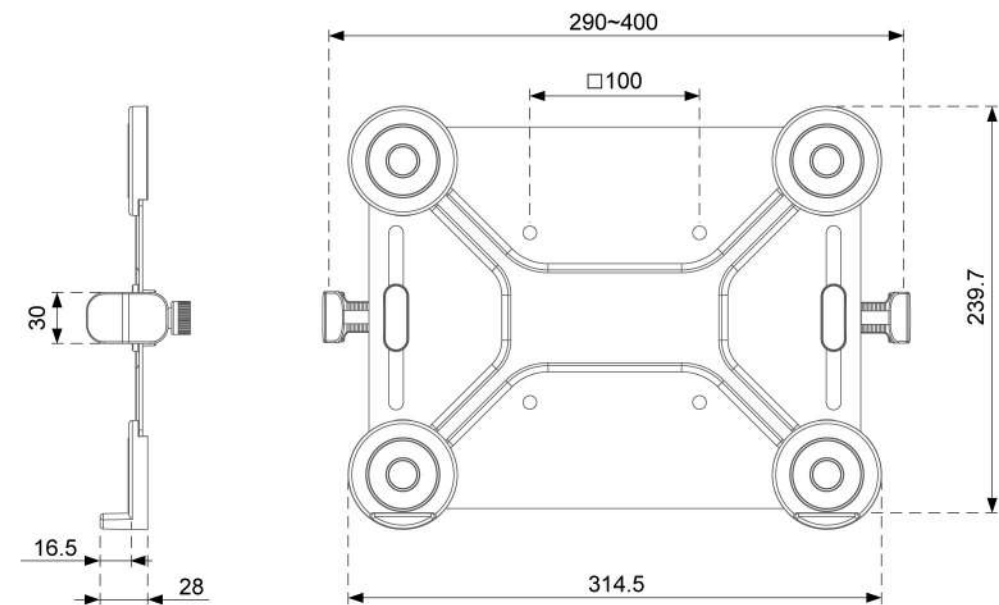
Optional-Notebook Holder



OP-050
 VESA 100mm
 max ~5.5kg (~12.12lbs)



- Add the notebook tray to LCD mount that uses 100 x 100mm VESA to create an ergonomic workstation for your notebook.
- Notebook/laptop size: ~16"



unit:mm